

# Motion detector, 24 V, 15 m, 90°, with potential-free contact, for surface mounting

350-41279

CE

4 year warranty



24V



stand-alone



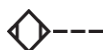
IP20



90°



surface-mounting



90° motion detector, 24 V, with a potential-free contact for HVAC, Niko Home Control, for wall and ceiling mounting. It is durable, functional and compact. The motion detector has a built-in walking test and adjustable sensitivity (5 levels). Can be combined with Niko Home Control. For use in small offices, storage areas, corridors, conference rooms ... The motion detector is suitable for the control of HVAC, ventilation, building management systems, Niko Home Control ... The switch-off delay of the potential-free relay and the sensitivity of the detector can be set on the device. Also suitable for outdoor applications. In this case a protective cover (to be ordered separately) is used to make the motion detector splashproof (protection degree IP54).

Colour: white

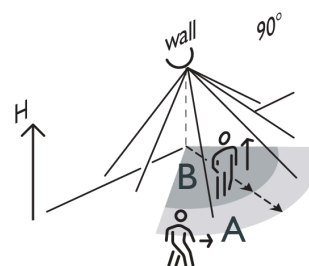
Compatible secondary detectors:

Compatible master detectors:

- Sustainable
- Functional
- Compact
- With integrated walking test
- Adjustable sensitivity (five levels)
- Connection possible to Niko Home Control via the potential-free digital sensor module (550-00210).



## Detection range

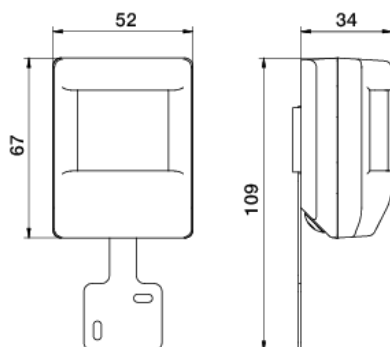


H	A	B
	Across	Towards
2 m	15 m	7.5 m

## Technical features

Configuration	stand-alone
Input voltage	24Vac-Vdc
Detector output	230 V (ON/OFF)
Maximum current consumption	18 mA
Switch-off delay	2 sec – 1,800 sec
Detection angle	90 °
Minimum ambient temperature	-20 °C
Maximum ambient temperature	+50 °C
Mounting method	surface mounting
Colour	white
Dimensions (HxWxD)	67 mm x 52 mm x 34 mm
Protection degree standalone	IP20

## Dimensions



## Wiring diagram

