

28 450 710 Product version up to 7/6/2018



- 3/8" shower outlet
- rosette 78 x 55 mm
- 1/2" connection
- WRAS

Intrinsic protection against back flow.



Chrome

28 450 710-00



Brushed Platinum

28 450 710-06

**Recommended miscellaneous**



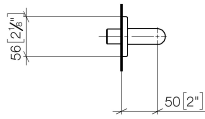
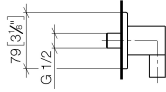
**Concealed wall elbow -**

35 085 970 90

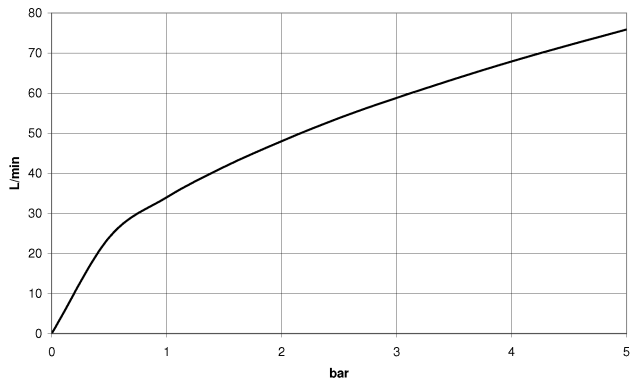
- min. recess depth 90 mm
- max. recess depth 163 mm

28 450 710 Product version up to 7/6/2018

mm [inches]



**Flow rate chart**



**Codes & Standards**

ASME A112.18.1

cUPC

EN 1717

Scottish Water  
Byelaws

UK Water Supply  
Regulations



## LULU Wall elbow - Chrome

LULU

---

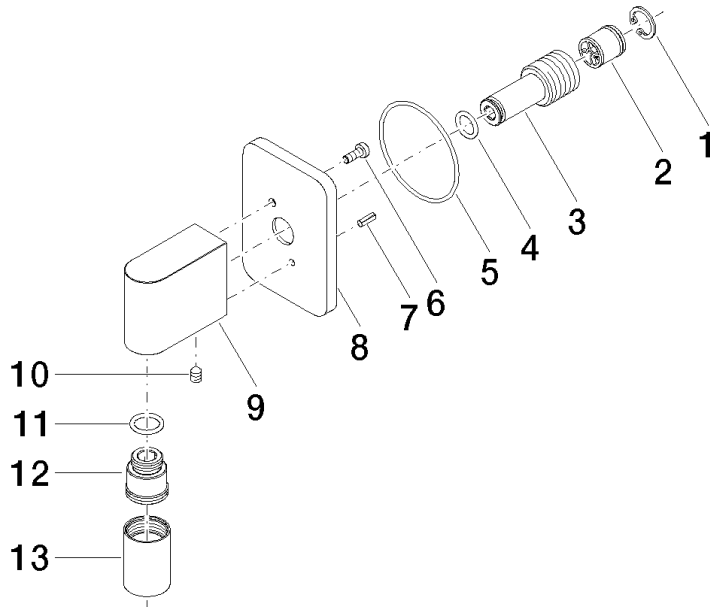
28 450 710 Product version up to 7/6/2018

### Certificates and sustainability

---

Belgaqua\_21-381-2 WRAS\_2310

IAPMO\_4976



### Spare parts list

No.	Item Number	Name	Quantity used	Delivery time
	12 09 24 03 107 20 90	Nipple Ø 20 x 21,5 mm -	1.00	14
	5 09 14 10 142 90	O-Ring 47,3 x 1,78 mm -	1.00	14
	13 90 21 02 069 00-00	Cover/sleeve M20 x 1 - Chrome	1.00	20
	3 09 24 03 116 20 90	Nipple Ø 21 x 50 mm -	1.00	14
	6 09 30 30 054 90	Mounting Cylinder head screw with hexagon socket with low profile M4 x 10 mm -	1.00	14
	2 90 23 01 040 00 90	Back-flow preventer Check valve cartridge, DW15 -	1.00	14
	7 09 31 11 026 90	Grooved pin Ø 5 x12 mm -	1.00	14
	11 90 14 10 077 00 90	O-Ring EPDM 70 12,0 x 2,0 mm -	1.00	14
	1 09 16 01 014 90	Ring Retaining ring Ø 15 x 1 mm -	1.00	14
	4 09 14 10 008 90	O-Ring 10,0 x 2,0 mm -	1.00	14
	8 09 27 71 002-00	Rosette for wall elbows 55 x 78 x 8 mm - Chrome	1.00	20
	9 09 11 03 026 20-00	Connection 22 x 42 x 52 mm - Chrome	1.00	-
Spare part can no longer be ordered, please order the replacement item				
091103046-00		Wall elbow - Chrome		
	10 09 31 11 005 90	Mounting Threaded pin with hexagon socket with pins M5 x 10 mm -	1.00	14