

Presence detector P47MR, DALI-2, master, 12-13 m, for flush mounting (SnapFit), WAGO WINSTA® MIDI 2 m cable with 5-pol. connector, white

353-651321-1



DALI-2



master



IP20



20 lx – 2,000 lx



360°



12 m from a height of 3 m



2 m – 3.5 m



flush-mounting (SnapFit)



Bluetooth® Low Energy



This flat and discrete presence detector is a DALI-2 master for DALI lighting control in up to three dimmable daylight zones. Lighting control can be overridden via wireless and battery-free Bluetooth® push buttons. The detector settings can be modified using the Niko detector tool app and 2-way Bluetooth® communication. The SnapFit mounting system guarantees fast and stable installation. The detector is prewired with a cable and a 5-pole female connector that is unique, which helps to avoid installation errors and save time.

This P47 DALI-2 master detector is used in installations with standard daylight control applications, mainly with an automatic ON/OFF function. It is suitable for lighting control in corridors, offices, classrooms and meeting rooms. The detection range can be extended with P46 DALI-2 secondary detectors with a 2 m cable and connector. Mind the maximum guaranteed current on the DALI bus. Use distribution box 353-70804 to divide the power distribution to the DALI luminaires over two circuit breakers and achieve a higher security of supply.

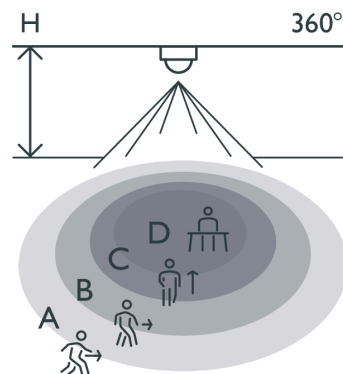
Colour: white

Compatible secondary detectors: 353-650021, 353-651021-1, 353-652021, 353-750021, 353-751021, 353-751021-1, 353-752021, 353-852011

Compatible master detectors:

Compatible controls: 360-21001

Detection range



H	A Walking	B Across	C Towards	D Presence
2.5 m	∅ 13 m	∅ 11 m	∅ 3 m	∅ 5 m
3.0 m	∅ 12 m	∅ 12 m	∅ 3 m	∅ 5 m

Measured according to EN/IEC63180



This article is protected by at least one patent (or patent application). For more info on patents, see www.niko.eu/innovation.

- Flat and discrete design
- Daylight control in 1-3 daylight zones
- SnapFit mounting bracket for easy and stable mounting in all types of suspended ceilings with or without removable tiles
- Quick cabling using screwless and easily accessible plug-in terminals
- Screwless strain relief and screwless installation of cable cover
- User-friendly app for settings (iOS/Android)
- 2-way Bluetooth® communication ensures quick modification of settings and live feedback in the app
- Supports DALI broadcast (default) and DALI addressable
- Pre-configured functions:
- DALI lighting control can be overridden with a 230 V push button - different options available
- Suitable for controlling up to 64 DALI devices (consider guaranteed current on the DALI bus) (consider guaranteed current on the DALI bus)
- Settings and configuration can be locked with a PIN code
- Web based portal solution for backing up and exchanging configuration files

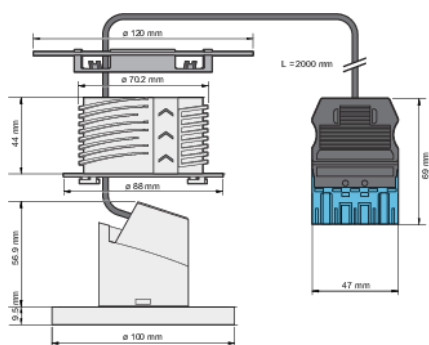
Technical features

Compatible secondary detectors	353-650021, 353-651021-1, 353-652021, 353-750021, 353-751021, 353-751021-1, 353-752021, 353-852011
Compatible controls	360-21001
Configuration	master
Input voltage	230 Vac
Detector output	DALI Broadcast/DALI Addressable
Maximum startup time DALI	<1,200 ms
Maximum PIR detection startup time	70 sec
Switch-off delay	pulse, 20 sec – 7,200 sec, ∞
Maximum power consumption	0.5 W
Maximum MCB rating	16 A (limited by national installation rules)
Detection angle	360 °
Detection range (PIR)	12 m from a height of 3 m
Minimum ambient temperature	-25 °C
Maximum ambient temperature	+40 °C
Mounting method	flush-mounting (SnapFit)
Mounting height	2 m – 3.5 m
Colour	white
Colour RAL (approximately)	9010
Dimensions visible (HxWxD)	100 mm x 100 mm
Dimensions (HxWxD)	120 mm x 120 mm x 66.4 mm
Maximum range Bluetooth® (free field, depending on the device)	50 m
Operating frequency	2.4 GHz
Maximum radio frequency power	-2 dBm
Protection degree standalone	IP20
Impact resistance	IK02
Modification of settings	Niko detector tool app (iOS-Android) and 2-way Bluetooth® communication
Halogen-free	yes

Accessories

353-999869	Lens cover for P4XMR and M4XMR detectors, transparent (5 pieces)
353-991901	Spring clips for flush-mounted P4XMR, P4XLR, M4XMR and M4XLR detectors (SnapFit)
353-990992	Deco ring for flush-mounted P4XMR and M4XMR detectors, black

Dimensions



Wiring diagram

