

Features

- OneTrack accessory, fix-point for surface mounting, Polycarbonate body, steel springs Max load: 50N. Fixing thicknes: 1-30mm. White.

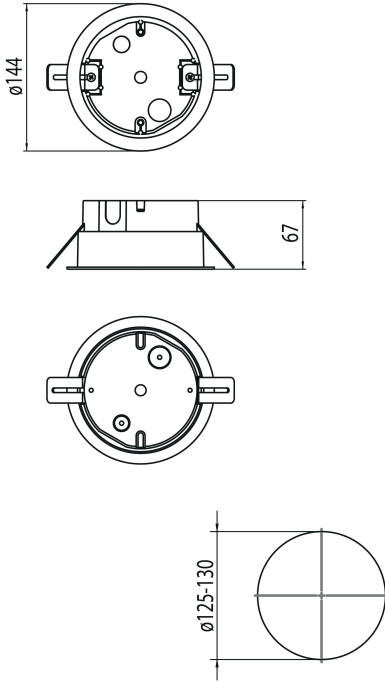


Product Overview

Product name	ONETRACK RECESSED BOX FIX POINT WHITE 9000/BRU-W
Technology	Accessory
Housing	PC Polycarbonate
Mount	Ceiling recessed mounting
General application	Museums & Galleries, Office
ETIM Class	EC002557
Housing colour	White
Product EAN number	4012289007539
Warranty	5 years

ONETRACK RECESSED BOX FIX POINT WHITE 9000/BRU-W 9200753

Technical drawings



Data table

GENERAL DATA

Product name	ONETRACK RECESSED BOX FIX POINT WHITE 9000/BRU-W
Technology	Accessory
Accessory type	Mounting
Type of accessory	Monopoint
Housing	PC Polycarbonate
Mount	Ceiling recessed mounting
General application	Museums & Galleries, Office
ETIM Class	EC002557
Warranty	5 years

ONETRACK RECESSED BOX FIX POINT WHITE 9000/BRU-W 9200753

ELECTRICAL DATA

Control gear required	No
-----------------------	----

PHYSICAL DATA

Housing colour	White
----------------	-------

Nominal Product Height (mm)	67
-----------------------------	----

Nominal Product Diameter (mm)	144
-------------------------------	-----

Weight (kg)	0.14
-------------	------

PACKAGING

Product EAN number	4012289007539
--------------------	---------------

Packaging single length / height (cm)	13.0
---------------------------------------	------

Packaging single width (cm)	6.0
-----------------------------	-----

Packaging single depth (cm)	13.0
-----------------------------	------

Units per outer package	1
-------------------------	---

Packaging outer length / height (cm)	13.0
--------------------------------------	------

Packaging outer width (cm)	6.0
----------------------------	-----

Packaging outer depth (cm)	13.0
----------------------------	------

SAFETY DATA

Special purpose lamp	No
----------------------	----

Dry applications use only	No
---------------------------	----

Suitable for household illumination	No
-------------------------------------	----