



### Features

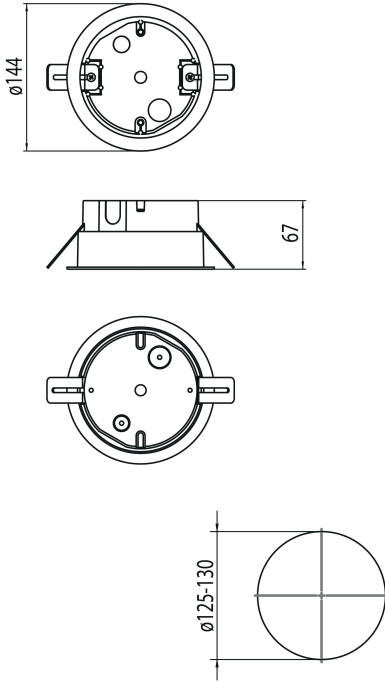
- OneTrack accessory, fix-point for surface mounting, Polycarbonate body, steel springs Max load: 50N. Fixing thickness: 1-30mm. Black.

### Product Overview

<b>Product name</b>	ONETRACK RECESSED BOX FIX-POINT BLACK 9000/BRU-B
<b>Technology</b>	Accessory
<b>Housing</b>	PC Polycarbonate
<b>Mount</b>	Ceiling recessed mounting
<b>General application</b>	Museums & Galleries, Office
<b>ETIM Class</b>	EC002557
<b>Housing colour</b>	Black
<b>Product EAN number</b>	4012289007546
<b>Warranty</b>	5 years

## ONETRACK RECESSED BOX FIX-POINT BLACK 9000/BRU-B 9200754

### Technical drawings



### Data table

#### GENERAL DATA

<b>Product name</b>	ONETRACK RECESSED BOX FIX-POINT BLACK 9000/BRU-B
<b>Technology</b>	Accessory
<b>Accessory type</b>	Mounting
<b>Type of accessory</b>	Monopoint
<b>Housing</b>	PC Polycarbonate
<b>Mount</b>	Ceiling recessed mounting
<b>General application</b>	Museums & Galleries, Office
<b>ETIM Class</b>	EC002557
<b>Warranty</b>	5 years

## ONETRACK RECESSED BOX FIX-POINT BLACK 9000/BRU-B 9200754

### ELECTRICAL DATA

Control gear required	No
-----------------------	----

### PHYSICAL DATA

Housing colour	Black
----------------	-------

Nominal Product Height (mm)	67
-----------------------------	----

Nominal Product Diameter (mm)	144
-------------------------------	-----

Weight (kg)	0.14
-------------	------

### PACKAGING

Product EAN number	4012289007546
--------------------	---------------

Packaging single length / height (cm)	13.0
---------------------------------------	------

Packaging single width (cm)	6.0
-----------------------------	-----

Packaging single depth (cm)	13.0
-----------------------------	------

Units per outer package	1
-------------------------	---

Packaging outer length / height (cm)	13.0
--------------------------------------	------

Packaging outer width (cm)	6.0
----------------------------	-----

Packaging outer depth (cm)	13.0
----------------------------	------

### SAFETY DATA

Special purpose lamp	No
----------------------	----

Dry applications use only	No
---------------------------	----

Suitable for household illumination	No
-------------------------------------	----