

34 442 979 Product version from 10/1/2023

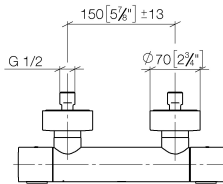
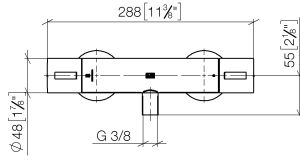


- 3/8" shower outlet
- slide-on rosettes Ø 70 mm
- 1/2" connection
- gauge 150 mm - 13 mm
- with volume control
- WRAS

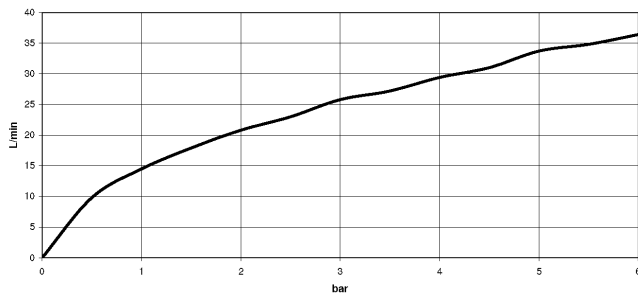
Intrinsic protection against back flow.

34 442 979 Product version from 10/1/2023

mm [inches]



Flow rate chart



Codes & Standards

DIN 4109

EN 1111

EN 1717

ISO 3822

Scottish Water
Byelaws

UK Water Supply
Regulations

Ü-Zeichen



Shower thermostat for wall mounting - Matte Black

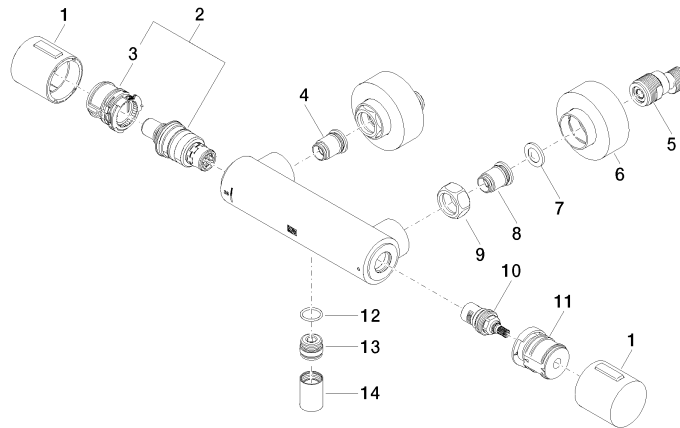
SERIES SPECIFIC

34 442 979 Product version from 10/1/2023

Certificates and sustainability

DVGW_DW- 6509DN0	WRAS_2204	LGA_29	Belgaqua_21-032-2	EPD-DOR-20230287 -IBA1-EN Environmental.prod uct-declarat
---------------------	-----------	--------	-------------------	--

Belgaqua_25-342-2



Spare parts list

No.	Item Number	Name	Quantity used	Delivery time
12	90 14 10 010 00 90	O-Ring EPDM 70 17,0 x 2,0 mm -	1.00	14
14	90 21 02 069 00-33	Cover/sleeve M20 x 1 - Matte Black	1.00	40
11	90 30 40 017 00 90	Retainer Ø 39 x 50 mm -	1.00	14
8	04 31 20 540 00 90	Insert for check valve Ø 23,5 x 27,5 mm -	1.00	14
10	90 90 03 236 00 90	Head part 1/2" -	1.00	14
1	90 17 33 015 00-33	Handle for thermostat Ø 48 x 48 mm - Matte Black	2.00	40
4	04 31 20 530 00 90	Insert Ø 23,5 x 27,5 mm -	1.00	14
5	04 11 04 030 00 90	S-connection with sound damper and seal 1 pair G1/2 x G3/4 -	2.00	14
13	09 31 20 511-33	Nipple - Matte Black	1.00	40
6	90 31 20 512 00-33	Rosette two-piece 1 pair - Matte Black	2.00	40
9	09 24 77 008-00	Nut Sleeve nut Ø 33,5 x 15 mm - Chrome	2.00	20
2	90 15 02 070 00 90	Thermostat cartridge Ø 39 x 92 mm, 26 l/min. -	1.00	14
7	09 29 30 050 90	Filter Ø 24 x 4 mm -	2.00	14
3	90 30 40 010 00 90	Controller for thermostat cartridges -	1.00	14