



LULU Wall valve clockwise closing 1/2" - Chrome

LULU


36 607 710



- rosette 78 x 55 mm
- head part with cut-to-length spindle and sleeve
- WRAS

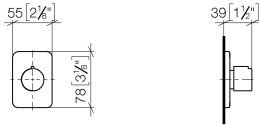
	Chrome	36 607 710-00
	Brushed Platinum	36 607 710-06

Required miscellaneous

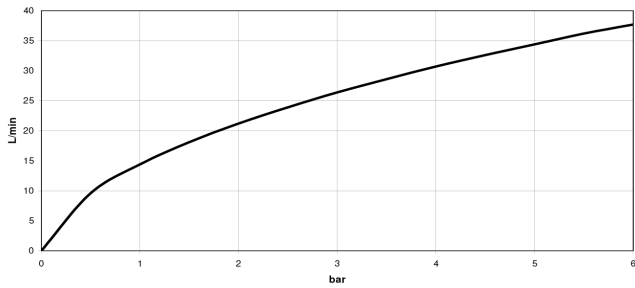
	<p>Wall valve 1/2" -</p> <ul style="list-style-type: none"> •min. recess depth 75 mm •max. recess depth 145 mm 	35 607 970 90
---	---	---------------

36 607 710

mm [inches]



Flow rate chart



Codes & Standards

ASME A112.18.1	cUPC	DIN 4109	EN 1111
EN 200	ISO 3822	Scottish Water Byelaws	UK Water Supply Regulations

Ü-Zeichen



LULU Wall valve clockwise closing 1/2" - Chrome

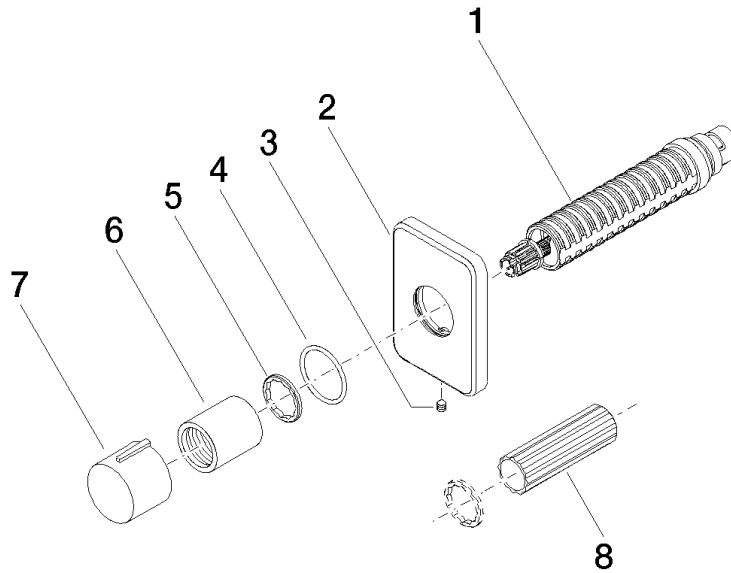
LULU

36 607 710

Certificates and sustainability

WRAS_2011	DVGW_DW- 6501DN0	DVGW_DW- 6512DN0	LGA_29	WRAS_2010
LGA_29	IAPMO_4976 (EPD-DOR-20230287 -IBA1-EN Environmental.prod uct-declarat		

36 607 710



Spare parts list

No.	Item Number	Name	Quantity used	Delivery time
3	90 31 11 007 00 90	Mounting Threaded pin with hexagon socket M4 x 6 mm	1.00	14
1	90 90 03 143 00 90	Head part clockwise closing 1/2" -	1.00	14
5	09 16 01 025 90	Ring Ø 24 x 2,5 mm -	1.00	14
6	09 21 02 070-00	Cover Ø 26 x 30 mm - Chrome	1.00	20
8	90 30 09 010 00 90	Spanner -	1.00	14
2	09 27 71 029-00	Rosette 9 x 56 x 79 mm - Chrome	1.00	20
7	09 20 97 030-00	Handle Ø 31,5 x 25 mm - Chrome	1.00	20
4	90 14 10 063 00 90	O-Ring EPDM 70 26,0 x 2,0 mm -	1.00	14