

Presence detector P48MR, DALI-2, master, 12-13 m, for flush mounting (SnapFit), WAGO WINSTA® MIDI 2 x 2 m cable with 5-pol. connectors, white

353-651421-2



DALI-2	master	IP20	N.O. (max. 0 A), potential-free	20 lx – 2,000 lx	360°	12 m from a height of 3 m
2 m – 3.5 m	flush-mounting (SnapFit)	Bluetooth® Low Energy				



This flat and discrete presence detector is a DALI-2 master for DALI lighting control in up to four dimmable zones. Lighting control can be overridden either via wireless and battery-free Bluetooth® push buttons or via 230 V push buttons. The detector settings can be modified using the Niko detector tool app and 2-way Bluetooth® communication. The SnapFit mounting system guarantees fast and stable installation. The detector is premounted with 2 cables and 5-pole female connectors that are each unique, which helps to avoid installation errors and save time.

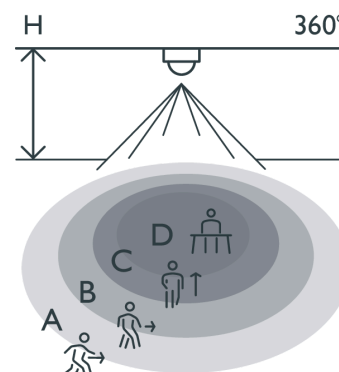
The P48 DALI-2 master detector enables the following lighting control solutions in hallways, corridors, offices, classrooms and meeting rooms:

- Human Centric Lighting (HCL)
- tunable white
- scenarios
- multi-zone for a board light/smart board
- master/master link for adjacent areas control

Use the P48 DALI-2 master detector's internal relay in combination with a distribution box (353-7080X) to enable the following lighting control solutions:

- HVAC control in combination with distribution box 353-70801 to accommodate the integration of HVAC systems
- Control of non-dimmable ON/OFF lighting with distribution box 353-70802
- Standby minimisation of DALI luminaires in combination with distribution box 353-70803 to save energy

Detection range



H	A Walking	B Across	C Towards	D Presence
2.5 m	∅ 13 m	∅ 11 m	∅ 3 m	∅ 5 m
3.0 m	∅ 12 m	∅ 12 m	∅ 3 m	∅ 5 m

Measured according to EN/IEC63180



- Control of non-dimmable luminaires externally on the DALI bus with distribution box 353-70806

The detection range can be extended with P46 DALI-2 secondary detectors with a 2 meter cable and a connector. Mind the maximum guaranteed current on the DALI bus.

Use distribution box 353-70804 to divide the power distribution to the DALI luminaires over two circuit breakers and achieve a higher security of supply.

Colour: white

Compatible secondary detectors: 353-650021, 353-651021-1, 353-652021, 353-750021, 353-751021, 353-751021-1, 353-752021, 353-852011

Compatible master detectors:

Compatible controls: 360-21001

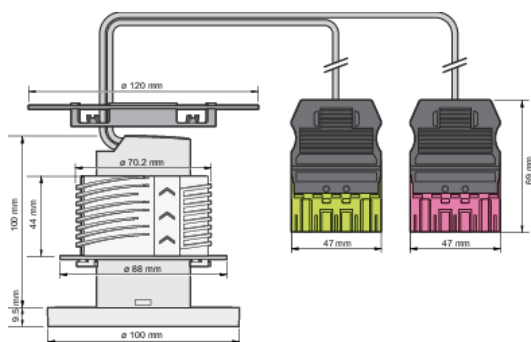
This article is protected by at least one patent (or patent application). For more info on patents, see www.niko.eu/innovation.

- Flat and discrete design
- Lighting control in up to 4 zones (daylight controlled)
- Lighting zones can be controlled wirelessly by push buttons
- SnapFit mounting bracket for easy and stable mounting
- Quick cabling using screwless and easily accessible plug-in terminals
- Commissioning using app (iOS/Android) and 2-way Bluetooth® communication
- Supports DALI broadcast (default) and DALI addressable (up to 64 devices)
- Pre-configured functions:
- DALI lighting control can be overridden with a 230 V push button - different options available
- External DALI-2 input devices via DALI bus - up to 64 devices
- External trigger can be connected e.g. security alarm
- Web based portal solution for backing up and exchanging configuration files
- Settings and configuration can be locked with a PIN code

Technical features

Compatible secondary detectors	353-650021, 353-651021-1, 353-652021, 353-750021, 353-751021, 353-751021-1, 353-752021, 353-852011
Compatible controls	360-21001
Configuration	master
Input voltage	230 Vac
Detector output	DALI Broadcast/DALI Addressable
Maximum startup time DALI	<1,200 ms
Maximum PIR detection startup time	70 sec
Switch-off delay	pulse, 20 sec – 7,200 sec, ∞
Maximum power consumption	0.6 W
Maximum MCB rating	16 A (limited by national installation rules)
Detection angle	360 °
Detection range (PIR)	12 m from a height of 3 m
Minimum ambient temperature	-25 °C
Maximum ambient temperature	+40 °C
Mounting method	flush-mounting (SnapFit)
Mounting height	2 m – 3.5 m
Colour	white
Colour RAL (approximately)	9010
Dimensions visible (HxWxD)	100 mm x 100 mm
Dimensions (HxWxD)	120 mm x 120 mm x 109.5 mm
Maximum range Bluetooth® (free field, depending on the device)	50 m
Operating frequency	2.4 GHz
Maximum radio frequency power	-2 dBm
Protection degree standalone	IP20
Impact resistance	IK02
Modification of settings	Niko detector tool app (iOS-Android) and 2-way Bluetooth® communication
Halogen-free	yes

Dimensions



Wiring diagram

