



### Features

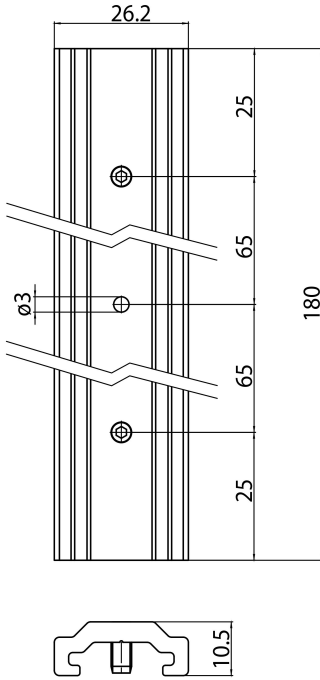
- OneTrack accessory, long pendant bracket for suspensions (to be used with spherical end steel wire), in aluminum. Black.

### Product Overview

Product name	ONETRACK LONG SPH SUSP BRACKET BLK S-9000/332-SV-B
Technology	Accessory
Housing	Aluminium
Mount	Suspended
General application	Museums & Galleries, Office
ETIM Class	EC002557
Housing colour	Black
Product EAN number	4012289007904
Warranty	5 years

## ONETRACK LONG SPH SUSP BRACKET BLK S-9000/332-SV-B 9200790

### Technical drawings



### Data table

#### GENERAL DATA

<b>Product name</b>	ONETRACK LONG SPH SUSP BRACKET BLK S-9000/332-SV-B
<b>Technology</b>	Accessory
<b>Accessory type</b>	Mounting
<b>Type of accessory</b>	Pendant bracket
<b>Housing</b>	Aluminium
<b>Mount</b>	Suspended
<b>General application</b>	Museums & Galleries, Office
<b>ETIM Class</b>	EC002557
<b>Warranty</b>	5 years

## ONETRACK LONG SPH SUSP BRACKET BLK S-9000/332-SV-B 9200790

### ELECTRICAL DATA

Control gear required	No
-----------------------	----

### PHYSICAL DATA

Housing colour	Black
----------------	-------

Nominal Product Length (mm)	180
-----------------------------	-----

Nominal Product Width (mm)	26.2
----------------------------	------

Nominal Product Height (mm)	10.5
-----------------------------	------

Weight (kg)	0.066
-------------	-------

### PACKAGING

Product EAN number	4012289007904
--------------------	---------------

Packaging single length / height (cm)	3.9
---------------------------------------	-----

Packaging single width (cm)	3.1
-----------------------------	-----

Packaging single depth (cm)	2.5
-----------------------------	-----

Units per outer package	1
-------------------------	---

Packaging outer length / height (cm)	3.9
--------------------------------------	-----

Packaging outer width (cm)	3.1
----------------------------	-----

Packaging outer depth (cm)	2.5
----------------------------	-----

### SAFETY DATA

Special purpose lamp	No
----------------------	----

Dry applications use only	No
---------------------------	----

Suitable for household illumination	No
-------------------------------------	----