



Features

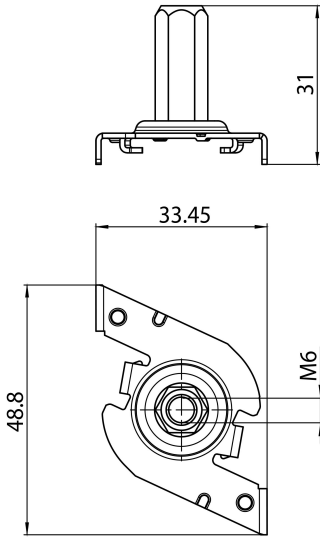
- OneTrack accessory, fast fixing clamp with M6 threaded gripper. White.

Product Overview

Product name	ONETRACK M6 FIXING CLAMP+GRIPPER WHT S-9000/118-W
Technology	Accessory
Housing	Steel
Mount	Suspended
General application	Museums & Galleries, Office
ETIM Class	EC002557
Housing colour	White
Product EAN number	4012289008024
Warranty	5 years

ONETRACK M6 FIXING CLAMP+GRIPPER WHT S-9000/118-W 9200802

Technical drawings



Data table

GENERAL DATA

Product name	ONETRACK M6 FIXING CLAMP+GRIPPER WHT S-9000/118-W
Technology	Accessory
Accessory type	Mounting
Type of accessory	Fixing clamp / bracket
Housing	Steel
Mount	Suspended
General application	Museums & Galleries, Office
ETIM Class	EC002557
Warranty	5 years

ONETRACK M6 FIXING CLAMP+GRIPPER WHT S-9000/118-W 9200802

ELECTRICAL DATA

Control gear required	No
-----------------------	----

PHYSICAL DATA

Housing colour	White
----------------	-------

Nominal Product Length (mm)	48.8
-----------------------------	------

Nominal Product Width (mm)	33.5
----------------------------	------

Nominal Product Height (mm)	31
-----------------------------	----

Weight (kg)	0.014
-------------	-------

PACKAGING

Product EAN number	4012289008024
--------------------	---------------

Packaging single length / height (cm)	3.9
---------------------------------------	-----

Packaging single width (cm)	3.0
-----------------------------	-----

Packaging single depth (cm)	4.0
-----------------------------	-----

Units per outer package	1
-------------------------	---

Packaging outer length / height (cm)	3.9
--------------------------------------	-----

Packaging outer width (cm)	3.0
----------------------------	-----

Packaging outer depth (cm)	4.0
----------------------------	-----

SAFETY DATA

Special purpose lamp	No
----------------------	----

Dry applications use only	No
---------------------------	----

Suitable for household illumination	No
-------------------------------------	----