

## ONETRACK PLASTIC COVER FOR CLAMP BLACK S-9000/5-B 9200811



### Features

- OneTrack accessory, plastic cover for clamp. Black.

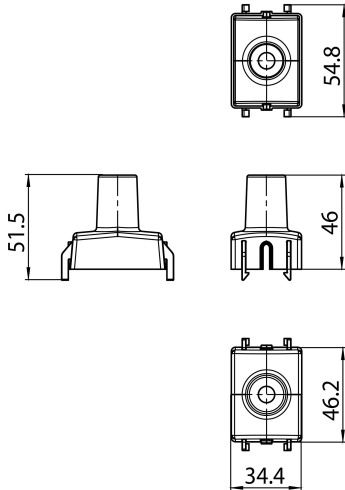


### Product Overview

Product name	ONETRACK PLASTIC COVER FOR CLAMP BLACK S-9000/5-B
Technology	Accessory
Housing	PC Polycarbonate
Mount	Other
General application	Museums & Galleries, Office
ETIM Class	EC002557
Housing colour	Black
Product EAN number	4012289008116
Warranty	5 years

## ONETRACK PLASTIC COVER FOR CLAMP BLACK S-9000/5-B 9200811

### Technical drawings



### Data table

#### GENERAL DATA

<b>Product name</b>	ONETRACK PLASTIC COVER FOR CLAMP BLACK S-9000/5-B
<b>Technology</b>	Accessory
<b>Accessory type</b>	Mounting
<b>Type of accessory</b>	Cover
<b>Housing</b>	PC Polycarbonate
<b>Mount</b>	Other
<b>General application</b>	Museums & Galleries, Office
<b>ETIM Class</b>	EC002557
<b>Warranty</b>	5 years

## ONETRACK PLASTIC COVER FOR CLAMP BLACK S-9000/5-B 9200811

### ELECTRICAL DATA

Control gear required	No
-----------------------	----

### PHYSICAL DATA

Housing colour	Black
----------------	-------

Nominal Product Length (mm)	54.8
-----------------------------	------

Nominal Product Width (mm)	34.4
----------------------------	------

Nominal Product Height (mm)	51.5
-----------------------------	------

Weight (kg)	0.006
-------------	-------

### PACKAGING

Product EAN number	4012289008116
--------------------	---------------

Packaging single length / height (cm)	3.9
---------------------------------------	-----

Packaging single width (cm)	3.0
-----------------------------	-----

Packaging single depth (cm)	2.53
-----------------------------	------

Units per outer package	4
-------------------------	---

Packaging outer length / height (cm)	3.9
--------------------------------------	-----

Packaging outer width (cm)	3.0
----------------------------	-----

Packaging outer depth (cm)	2.53
----------------------------	------

### SAFETY DATA

Special purpose lamp	No
----------------------	----

Dry applications use only	No
---------------------------	----

Suitable for household illumination	No
-------------------------------------	----