

35 020 970 90



- lead-free, dezincification resistant
- 2x back flow preventer
- 3x outlet G 1/2"
- 2x female thread 1/2" connections
- 2x integrated supply stop
- dust cover
- anti-water packing
- sound and thermal insulation
- gauge 60 mm
- WRAS

Recommended miscellaneous



Extension 25 mm - 12 191 970 90
 •for concealed single-lever shower and bath mixer 36 12X SSS-FF

Recommended miscellaneous



Extension 25 mm - 12 190 970 90
 •for concealed single-lever shower and bath mixer 36 02X SSS-FF

Required miscellaneous



xGRID Installation track 555 mm - 12 360 970 90

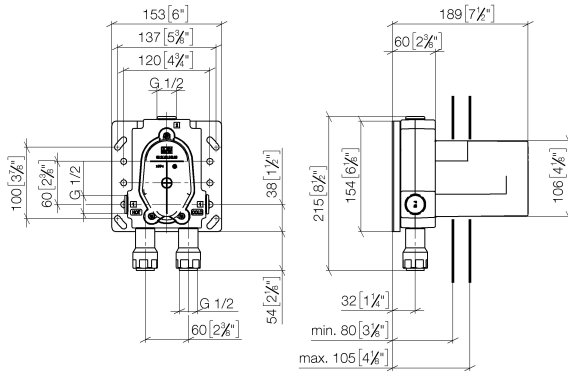
Recommended miscellaneous



xGRID Attachment set for integrating in the dry wall construction - 12 340 970 90

35 020 970 90

mm [inches]



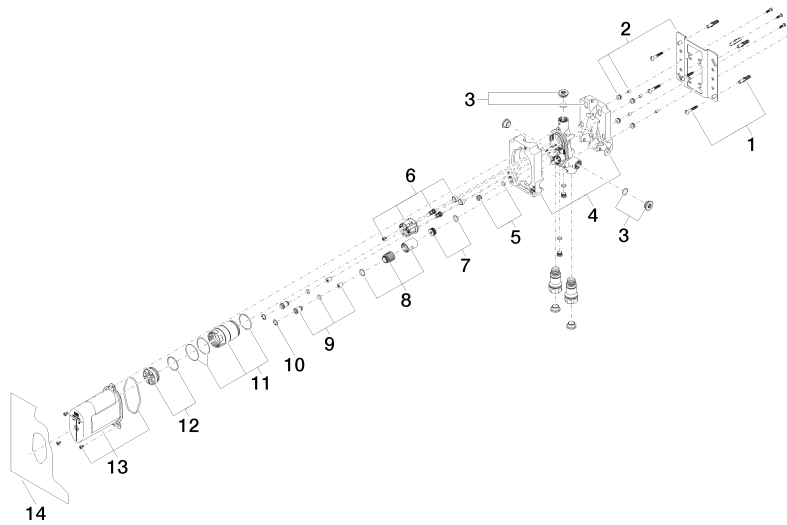
Codes & Standards

DIN 4109	EN 817	ISO 3822	Scottish Water Byelaws
UK Water Supply Regulations	Ü-Zeichen		

Certificates and sustainability

DVGW_DW- 6512DN0	LGA_19	WRAS_2207	EPD-DOR-20230287 -IBA1-EN Environmental.prod uct-declarat
---------------------	--------	-----------	--

35 020 970 90



Spare parts list

No.	Item Number	Name	Quantity used	Delivery time
	5 04 31 20 039 11 90	Plug with O-ring M12 x 1 -	1.00	14
	2 04 17 20 128 00 90	Holder for thermostat Concealed rough parts 153 x 154 x 14 mm -	1.00	14
	3 04 31 20 006 00 90	Plug 1/2" -	2.00	14
	11 90 17 01 187 00 90	Sleeve Retaining sleeve for cartridge Ø 48,7 x 74,3 mm -	1.00	14
	1 04 30 31 024 01 90	Attachment set Wood screw with dowel 6 x 40 mm -	2.00	14
	9 04 24 03 223 00 90	Pre-seal with built-in isolators Ø 15 x 33,5 mm -	2.00	14
	4 09 11 11 058 90	Body for spray/bath wall mounting Polystyrene Concealed rough parts 151,5 x 109 x 59 mm -	1.00	14
	14 04 14 03 155 00 90	Washer for spray/bath wall mounting Packing -	1.00	14
	8 90 17 01 189 00 90	Sleeve Low Stream rosette fixing, lower part Ø 27 x 34,5 mm -	1.00	14
	6 90 18 40 151 00 90	Back-flow preventer Ø 43,7 x 35 mm -	1.00	14
	12 04 31 20 100 00 90	Plug M42 x 1,5 -	1.00	14
	10 09 16 01 014 90	Ring Retaining ring Ø 15 x 1 mm -	2.00	14
	13 90 21 02 148 00 90	Protective cap 133 x 140,2 x 76,2 mm -	1.00	14
	7 90 31 20 098 00 90	Plug Ø 20,3 x 10,2 mm -	1.00	14