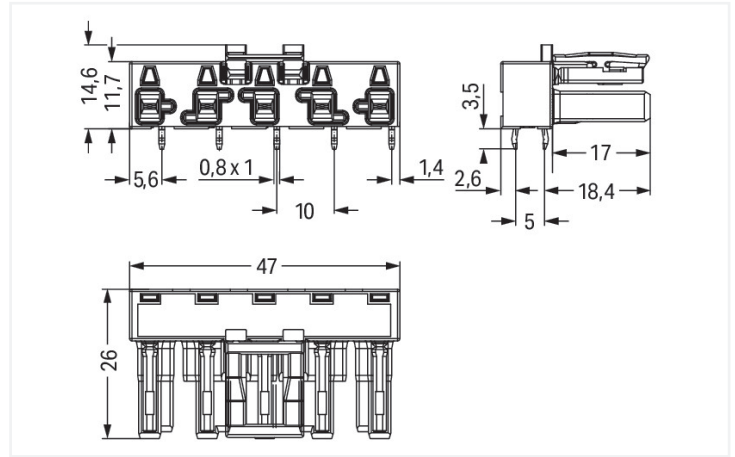
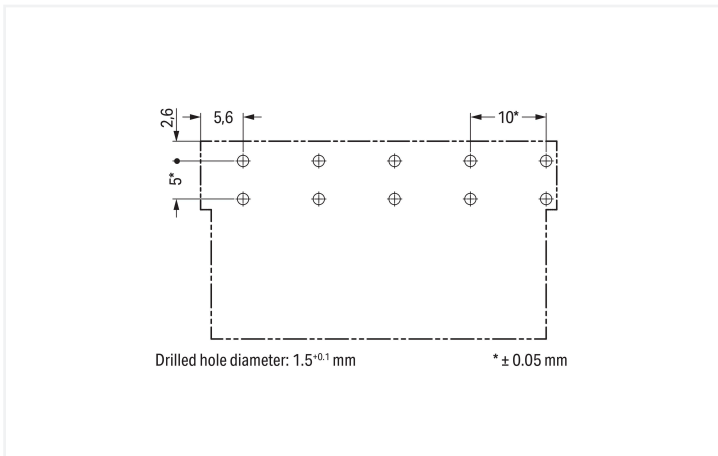


Color: ■ pink



Dimensions in mm



Dimensions in mm

#### Female connector/socket WINSTA® MIDI rated current 25 A

The WINSTA® MIDI female connector/socket with protection against mismating offers easy-to-understand handling to support control and drive technology tasks. The pluggable PCB connectors with spring pressure connection technology and Push-in CAGE CLAMP® technology from WAGO permit impact-resistant, maintenance-free, fast terminal connections. The coding options reduce installation errors, allowing fast, secure wiring of all components. B coding enables the WINSTA® MIDI pcb connectors to be used for control in applications in the domains of automation, mechanical engineering and robotics. This pcb connectors is designed for a current load of up to 25 A. Therefore, pcb connectors can also be used for high power loads. WINSTA® MIDI with Push-in CAGE CLAMP® spring pressure connection technology is found in can be found in a variety of projects you can use for quick, easy, flexible, and secure installation.

#### WINSTA® MIDI solutions for your electrical installation – protected against mismating and maintenance-free

The WINSTA® Pluggable Connection System is ideally tailored to the strict requirements of building installation. It makes electrical installation pluggable, and consequently faster, more reliable, and error-free. Use of this pre-assembled system reduces time spent on assembly and installation errors at the construction site. Enjoy the benefits of the pluggable version of our maintenance-free spring pressure connection technology too! Plan your installation with with protection against mismating from WAGO.

- pcb connectors with protection against mismating
- pre-assembled versions
- with B coding for use in automation of processes, such as lighting technology, for instance
- convenient installation and commissioning

## Notes

|           |   |
|-----------|---|
| Variants: | Other pole markings<br>Other versions (or variants) can be requested from WAGO Sales or configured at <a href="https://configurator.wago.com/">https://configurator.wago.com/</a> . |
|-----------|---|

## Electrical data

| Ratings per                     | IEC/EN 60664-1 |     |    |
|---------------------------------|----------------|-----|----|
| Overvoltage category            | III            | III | II |
| Pollution degree                | 3              | 2   | 2  |
| Nominal voltage                 | 400 V          | -   | -  |
| Rated impulse withstand voltage | 6 kV           | -   | -  |
| Rated current                   | 25 A           | -   | -  |

## Ratings per IEC/EN – Notes

|                      |   |
|----------------------|---|
| Rated current (note) | 25 A for 3-pole load<br>20 A for 4- and 5-pole load |
|----------------------|---|

## Approvals per

## UL 1977

|               |       |
|---------------|-------|
| Rated voltage | 600 V |
| Rated current | 23 A  |

## General information

|                            |  |
|----------------------------|--|
| Note on contact resistance | approx. 1 mΩ of contact resistance<br>approx. 0.25 mΩ contact transition plug/<br>socket |
|----------------------------|--|

## Connection Data

|                            |   |
|----------------------------|---|
| Total number of potentials | 5 |
|----------------------------|---|

## Connection 1

|             |   |
|-------------|---|
| Pole number | 5 |
|-------------|---|

## Physical data

|                                      |                                   |
|--------------------------------------|-----------------------------------|
| Pin spacing                          | 10 mm / 0.394 inches              |
| Width                                | 47 mm / 1.85 inches               |
| Height                               | 18.1 mm / 0.713 inches            |
| Height from the surface              | 14.6 mm / 0.575 inches            |
| Depth                                | 26 mm / 1.024 inches              |
| Solder pin length                    | 3.5 mm                            |
| Solder pin dimensions                | 1 x 0.8 mm                        |
| Drilled hole diameter with tolerance | 1.5 <sup>(-0.1 ... +0.1)</sup> mm |

## Mechanical data

|   |  |
|---|--|
| Use                                     | Control technology                                       |
| Coding                                  | B  |
| Variable coding                         | Yes  |
| Marking                                 | 1 2 3 4 5  |
| Potential marking                       | 1 2 3 4 5  |
| Mating force of a plug-in connection    | approx. 20 ... 70 N (depending on pole number)           |
| Retention force of a plug-in connection | Locked: > 80 N   |
| Unmating force of a plug-in connection  | Unlocked: approx. 20 ... 70 N (depending on pole number) |
| Number of mating cycles                 | 200, without resistive load                              |
| Design                                  | angled   |

### Plug-in connection

|                                    |  |
|------------------------------------|--|
| Contact type (pluggable connector) | Female connector/socket  |
| Connector (connection type)        | for PCB  |
| Mismating protection               | Yes  |
| Note on mismating protection       | All WINSTA® components are 100% protected against mismating when:<br>a.) plugging different numbers of poles<br>b.) plugging while rotated 180<br>c.) plugging while laterally staggered<br>d.) plugging one pole  |
| Mating direction to the PCB        | 0°   |
| Locking lever                      | Yes  |
| Locking of plug-in connection      | Locking lever  |
| Note on locking system             | All connectors for mounted installations (snap-in versions for lighting fixtures or devices, all types of PCB and distribution connectors) are factory-equipped with locking levers to ensure plugs and sockets are securely locked. Additional locking levers are only required for flying leads (plug/socket). |

### PCB contact

|                                     |                            |
|-------------------------------------|----------------------------|
| PCB contact                         | THT                        |
| Solder pin arrangement              | 2 in-line solder pins/pole |
| Number of solder pins per potential | 2                          |

### Material data

|                                    |  |
|------------------------------------|--|
| Note (material data)               | <a href="#">Information on material specifications can be found here</a> |
| Color                              | pink   |
| Insulation material (main housing) | Polyamide (PA66)   |
| Flammability class per UL94        | V0   |
| Clamping spring material           | Chrome-nickel spring steel (CrNi)  |
| Contact material                   | Copper or copper alloy; surface-treated                                  |
| Contact Plating                    | Tin  |
| Fire load                          | 0.2 MJ   |
| Weight                             | 10.6 g   |

### Environmental requirements

|  |  |
|--|--|
| Processing temperature                   | -5 ... +40 °C                              |
| Continuous operating temperature         | -35 ... +85 °C                             |
| Note on continuous operating temperature | Insulating parts for temperatures ≤ 105 °C |

### Commercial data

|                       |               |
|-----------------------|---------------|
| PU (SPU)              | 50 pcs        |
| Packaging type        | Box           |
| Country of origin     | PL            |
| GTIN                  | 4050821458289 |
| Customs tariff number | 85366990990   |

**Product Classification**

|             |                      |
|-------------|----------------------|
| UNSPSC      | 39121409             |
| eCl@ss 10.0 | 27-44-06-05          |
| eCl@ss 9.0  | 27-44-06-05          |
| ETIM 9.0    | EC002637             |
| ETIM 10.0   | EC002637             |
| ECCN        | NO US CLASSIFICATION |

**Environmental Product Compliance**

|                        |                         |
|------------------------|-------------------------|
| RoHS Compliance Status | Compliant, No Exemption |
|------------------------|-------------------------|

**Approvals / Certificates**

**General approvals** **Declarations of conformity and manufacturer's declarations**



| Approval                                | Standard  | Certificate Name |
|---|-----------|------------------|
| CCA<br>DEKRA Certification B.V.         | IEC 61984 | NL-32104         |
| CCA<br>DEKRA Certification B.V.         | EN 61984  | 2173495.01       |
| cURus<br>Underwriters Laboratories Inc. | UL 1977   | E45171           |

| Approval   | Standard | Certificate Name |
|--|----------|------------------|
| EU-Declaration of Conformity<br>WAGO GmbH & Co. KG | -        | -                |
| UK-Declaration of Conformity<br>WAGO GmbH & Co. KG | -        | -                |

**Approvals for marine applications**



| Approval   | Standard  | Certificate Name |
|--|-----------|------------------|
| ABS<br>American Bureau of Shipping               | -         | 24-0095977-PDA   |
| DNV GL<br>Det Norske Veritas, Germanischer Lloyd | -         | TAE00001Z6       |
| LR<br>Lloyds Register                            | IEC 61984 | LR22429487TA     |

**Downloads**

**Environmental Product Compliance**

|   |
|---|
| <b>Compliance Search</b>                            |
| Environmental Product Compliance<br>770-885/011-000 |

## CAD/CAE-Data

## CAD data

2D/3D Models  
770-885/011-000



## CAE data

ZUKEN Portal  
770-885/011-000



## 1 Compatible Products

## 1.1 System counterpart

## 1.1.1 Cable assembly

**Item No.: 771-9995/205-107**

pre-assembled connecting cable; Eca;  
Plug/open-ended; 5-pole; Cod. B; (H)  
05VV-F 5x1,0 mm<sup>2</sup>; 1 m; 1,00 mm<sup>2</sup>; pink

**Item No.: 771-9995/005-107**

pre-assembled interconnecting cable;  
Eca; Socket/plug; 5-pole; Cod. B; (H)05VV-  
F 5x1,0 mm<sup>2</sup>; 1 m; 1,00 mm<sup>2</sup>; pink

## 1.1.2 Male connector/plug

**Item No.: 770-295**

Plug; 5-pole; Cod. B; 4,00 mm<sup>2</sup>; pink

## 1.2 Required Accessories

## 1.2.1 Cover

## 1.2.1.1 Cover

**Item No.: 770-201**

Lockout cap; 12-pole, separable; for  
sockets; Plastic; black

**Item No.: 770-221**

Lockout cap; 12-pole, separable; for  
sockets; Plastic; white