

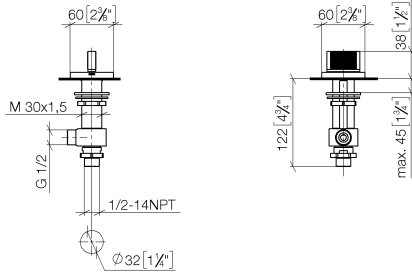
20 002 705 Product version from 3/9/2015

- with CASCADE structure
- hole diameter 32 mm
- rosette 60 x 60 mm
- with cold marking
- WRAS



20 002 705 Product version from 3/9/2015

mm [inches]



Flow rate chart



Codes & Standards

ASME A112.18.1

cUPC

Scottish Water
Byelaws

UK Water Supply
Regulations



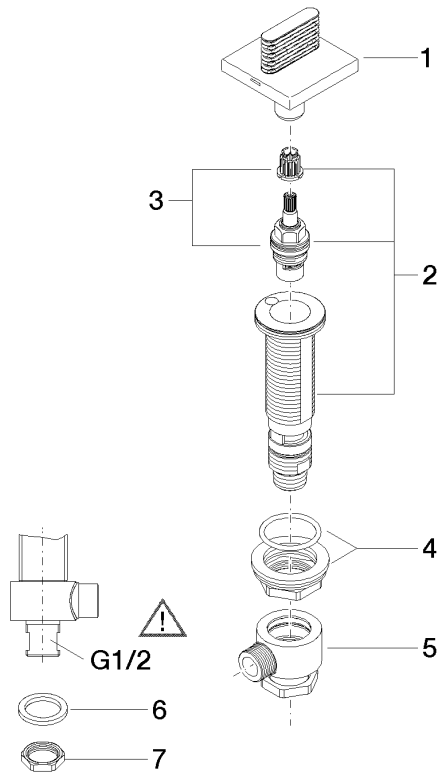
CL.1 Deck valve clockwise closing cold - Brushed Platinum

CL.1

20 002 705 Product version from 3/9/2015

Certificates and sustainability

IAPMO_4976	WRAS_2103	EPD-DOR-20230287 -IBA1-EN Environmental.prod uct-declarat
------------	-----------	--



Spare parts list

No.	Item Number	Name	Quantity used	Delivery time
3	90 90 03 133 00 90	Head part clockwise closing extended, 7mm 1/2" -	1.00	14
6	90 23 30 040 00-06	Union piece - Brushed Platinum	1.00	20
7	09 30 11 059 90	Disc -	1.00	14
5	04 17 11 023 10 90	Connection Distributor, complete 1/2" -	1.00	14
8	09 23 10 012 90	Mounting Nut SW 24 1/2" -	1.00	14
1	90 20 70 053 04-06	Handle for bath Cold oval step 60 x 60 x 40 mm - Brushed Platinum	1.00	20
4	04 23 10 032 78 90	Mounting with seals M30 x 1,5 -	1.00	14
2	04 17 11 058 33 90	Side piece clockwise closing, G 1/2, 180° -	1.00	14