

Reserve tissue holder - Chrome

SERIES SPECIFIC

83 590 979 Product version from 7/1/2023

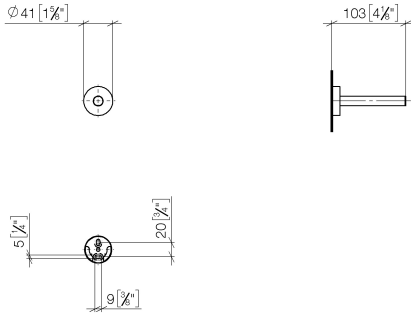
- rosette Ø 40 mm
- 105mm projection



	Chrome	83 590 979-00
	Brushed Platinum	83 590 979-06
	Dark Chrome	83 590 979-19
	Light Gold (PVD)	83 590 979-26
	Brushed Light Gold (PVD)	83 590 979-27
	Matte Black	83 590 979-33
	Brushed Gold (PVD)	83 590 979-37
	Brushed Dark Brass (PVD)	83 590 979-39
	Brushed Bronze (PVD)	83 590 979-42
	Brushed Dark Bronze (PVD)	83 590 979-43
	Brushed Champagne (22kt Gold)	83 590 979-46
	Champagne (22kt Gold)	83 590 979-47
	Brushed Chrome	83 590 979-93
	Brushed Dark Platinum	83 590 979-99

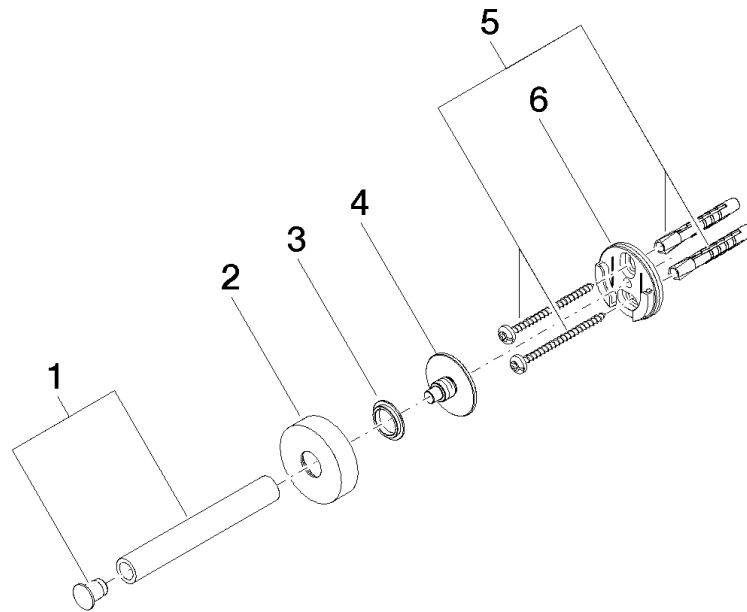
83 590 979 Product version from 7/1/2023

mm [inches]



83 590 979 Product version from 7/1/2023

Parts for other finishes can be found here: Brushed Platinum



Spare parts list

No.	Item Number	Name	Quantity used	Delivery time
1	90 17 97 567 00-00	Holder Ø 13 x 96 mm - Chrome	1.00	20
4	08 17 97 560 90	Holder Ø 32 x 16 mm -	1.00	14
3	08 30 11 516 90	Ring Ø 20 x 3 mm -	1.00	14
5	05 30 31 025 00 90	Mounting Bolt Round head 4,5 x 60 mm -	1.00	14
6	08 17 97 501 07	Holder Ø 38 x 9 mm -	3.00	14
2	90 27 97 508 00-00	rosette	1.00	-

Spare part can no longer be ordered, please order the replacement item