

Wall valve anti-clockwise closing hot 1/2" - Brushed Platinum

SERIES SPECIFIC

36 607 742 Product version from 7/1/2023



- without rosette
- handle Ø 60mm
- with hot marking
- head part with cut-to-length spindle and sleeve
- WRAS

	Brushed Platinum	36 607 742-06
	Chrome	36 607 742-00
	Dark Chrome	36 607 742-19
	Brushed Light Gold (PVD)	36 607 742-27
	Brushed Durabrass (23kt Gold)	36 607 742-28
	Matte Black	36 607 742-33
	Brushed Gold (PVD)	36 607 742-37
	Brushed Bronze (PVD)	36 607 742-42
	Brushed Champagne (22kt Gold)	36 607 742-46
	Champagne (22kt Gold)	36 607 742-47
	Brushed Dark Platinum	36 607 742-99

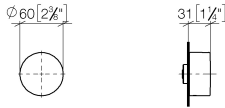
Required miscellaneous



- Wall valve 1/2" -** 35 607 970 90
- min. recess depth 85 mm
 - max. recess depth 145 mm

36 607 742 Product version from 7/1/2023

mm [inches]



Flow rate chart



Codes & Standards

ASME A112.18.1	cUPC	DIN 4109	EN 200
ISO 3822	Scottish Water Byelaws	UK Water Supply Regulations	Ü-Zeichen



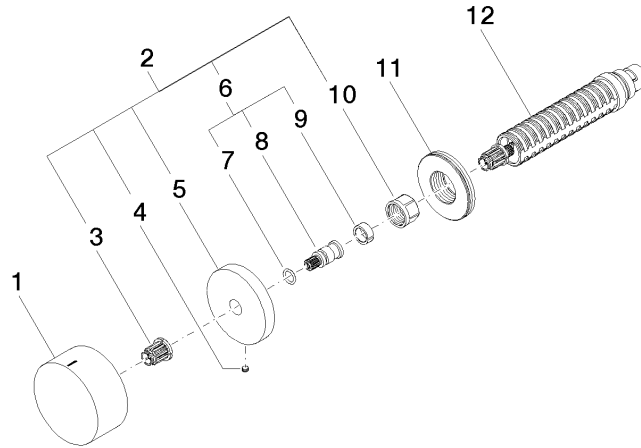
Wall valve anti-clockwise closing hot 1/2" - Brushed Platinum

SERIES SPECIFIC

36 607 742 Product version from 7/1/2023

Certificates and sustainability

DVGW_DW- 6501DN0	LGA_38	LGA_29	WRAS_2010	LGA_29
IAPMO_4976 (EPD-DOR-20230287 -IBA1-EN Environmental.prod uct-declarat			



Spare parts list

No.	Item Number	Name	Quantity used	Delivery time
7	90 14 10 060 00 90	O-Ring 8,0 x 1,5 mm -	1.00	14
11	09 30 01 107 90	Connection Ø 48 x 13 mm -	1.00	14
12	90 90 03 142 00 90	Head part anti-clockwise closing 1/2" -	1.00	14
2	04 27 74 004 00-06	Rosette without logo 50 x 50 x 9,5 mm - Brushed Platinum	1.00	20
5	09 27 74 004-06	Rosette Ø 55 x 9,5 x Ø 11,1 mm - Brushed Platinum	1.00	20
4	09 31 11 055 90	Mounting Threaded pin with hexagon socket with point M4 x 3,5 mm -	1.00	14
8	09 29 06 020-06	Connection Spindle Ø 12 x 28 mm - Brushed Platinum	1.00	-
Spare part can no longer be ordered, please order the replacement item				
1	09 20 74 021-06	Handle Hot Ø 60 x 29 mm - Brushed Platinum	1.00	20
10	90 23 30 023 00 90	Cap nut -	1.00	14
6	04 29 06 020 00-00	Connection 14 x 28 x 14 mm - Chrome	1.00	20
3	90 12 12 002 00 90	Fixing cap white Ø 15 x 12 mm -	1.00	14
9	90 14 15 020 03 90	Support ring -	1.00	14