

Presence detector P42MR, 230 V, master, 12-13 m, for flush mounting (SnapFit), WAGO WINSTA® MIDI 2 X 2 m cable with 3-pol. connectors, white

353-601121-2



230 V	master	IP20	N.O., potential-free	20 lx – 2,000 lx	360°	12 m from a height of 3 m
2 m – 3.5 m	flush-mounting (SnapFit)	Bluetooth® Low Energy				



This flat and discrete presence detector is a 1-channel master detector for automatic lighting control. The SnapFit mounting system guarantees fast and stable installation. The detector is premounted with 2 cables and 3-pole male and female connectors that are each unique, which helps to avoid installation errors and save time.

This P42 detector with two cables is suitable for lighting control in hallways, printer rooms, toilets and storage rooms. It is used in installations with standard daylight control applications, mainly with automatic ON/OFF function:

- Preprogrammed for automatic ON/OFF
- Preprogrammed settings can be changed via the Niko detector tool app and 2-way Bluetooth® communication (e.g. lux and switch-off time delay)

Lighting control can be overridden with a wireless and battery-free Bluetooth® push button.

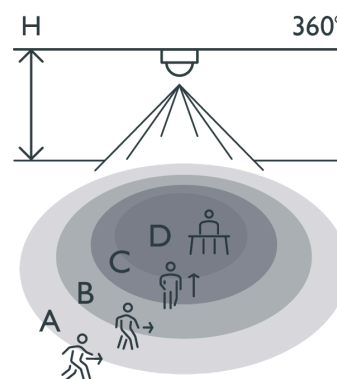
Colour: white

Compatible secondary detectors: 353-600021, 353-601021, 353-602021, 353-700021, 353-701021, 353-702021, 353-802011

Compatible master detectors:

Compatible controls: 360-21001

Detection range



H	A	B	C	D
	Walking	Across	Towards	Presence
2.5 m	∅ 13 m	∅ 11 m	∅ 3 m	∅ 5 m
3.0 m	∅ 12 m	∅ 12 m	∅ 3 m	∅ 5 m

Measured according to EN/IEC63180



This article is protected by at least one patent (or patent application). For more info on patents, see [www.niko.eu/innovation](http://www.niko.eu/innovation).

- Flat and discrete design
- SnapFit mounting bracket for easy and stable mounting in all types of suspended ceilings with or without removable tiles
- Quick cabling using screwless and easily accessible plug-in terminals
- Screwless strain relief and screwless installation of cable cover
- User-friendly app for settings (iOS/Android)
- 2-way Bluetooth® communication ensures quick modification of settings and live feedback in the app
- Pre-configured functions:
  - Detection range can be increased using up to 10 secondary detectors
  - Wireless communication between master and secondary detectors with a repeater function
- Robust potential-free relay
- Automatic lighting control can be overridden with a 230 V push button - different options available
- Settings and configuration can be locked with a PIN code
- Web based portal solution for backing up and exchanging configuration files

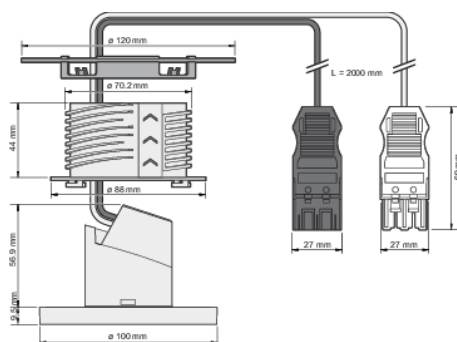
## Technical features

Compatible secondary detectors	353-600021, 353-601021, 353-602021, 353-700021, 353-701021, 353-702021, 353-802011
Compatible controls	360-21001
Configuration	master
Input voltage	230 Vac
Detector output	230 V (ON/OFF)
Switch-off delay	pulse, 15 sec – 7,200 sec, ∞
Maximum power consumption	0.2 W
Maximum MCB rating	16 A (limited by national installation rules)
Detection angle	360 °
Detection range (PIR)	12 m from a height of 3 m
Minimum ambient temperature	-25 °C
Maximum ambient temperature	+40 °C
Mounting method	flush-mounting (SnapFit)
Mounting height	2 m – 3.5 m
Colour	white
Colour RAL (approximately)	9010
Dimensions visible (HxWxD)	100 mm x 100 mm
Dimensions (HxWxD)	120 mm x 120 mm x 66.4 mm
Maximum range Bluetooth® (free field, depending on the device)	50 m
Operating frequency	2.4 GHz
Maximum radio frequency power	-2 dBm
Protection degree standalone	IP20
Impact resistance	IK02
Modification of settings	Niko detector tool app (iOS-Android) and 2-way Bluetooth® communication
Halogen-free	yes

## Accessories

353-999869 Lens cover for P4XMR and M4XMR detectors, transparent (5 pieces)

## Dimensions



## Wiring diagram

230 Vac

