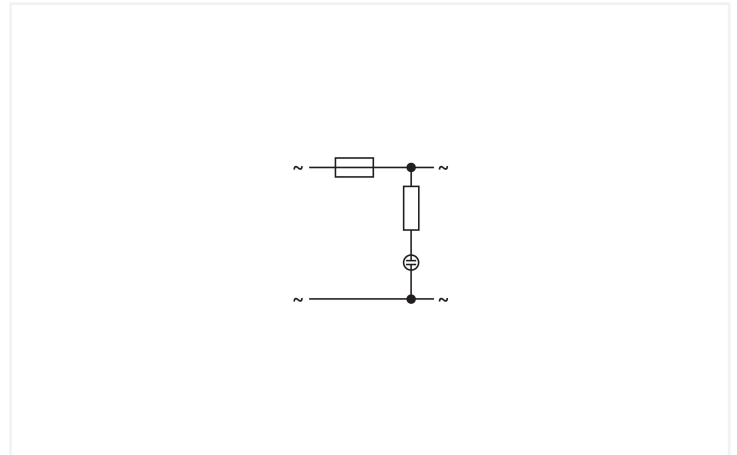


Data Sheet | Item Number: 286-891

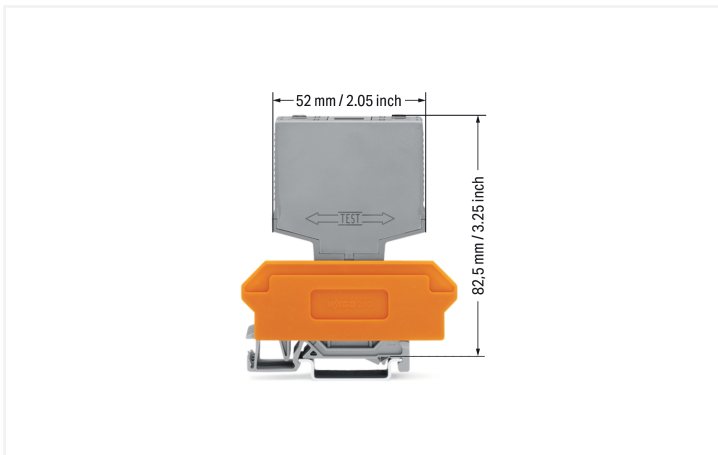
Component module with fuse; for (5 x 20) mm microfuse; Nominal voltage: 230 VAC/DC; gray

<https://www.wago.com/286-891>



Color: ■ gray

Similar to illustration



Electrical data

Nominal operating voltage	230 VAC/VDC
Fuse capacity (max.)	6.3 A
Leakage current in case of a blown fuse	0.5 mA

Safety and protection

Rated Voltage	250 V
Rated impulse withstand voltage	4 kV
Pollution degree	3

Physical data

Width	10 mm / 0.394 inches
Height	52 mm / 2.047 inches
Depth from upper-edge of DIN-rail	82.5 mm / 3.346 inches
Note (dimensions)	Depth including carrier terminal block

Mechanical data

Mounting type	Pluggable module for receptacle terminal blocks
Housing design	Plug for carrier terminal blocks

Material data

Color	gray
Fire load	0.26 MJ
Weight	14.1 g

Environmental requirements

Ambient temperature (operation)	-25 ... +40 °C
Relative humidity	5 ... 95 % (no condensation permissible)
Operating altitude (max.)	2000 m

Commercial data

Product Group	6 (INTERFACE ELECTRONIC)
PU (SPU)	30 (1) pcs
Packaging type	Box
Country of origin	DE
GTIN	4045454376482
Customs tariff number	85363010000

Product Classification

UNSPSC	39121624
eCl@ss 10.0	27-14-11-16
eCl@ss 9.0	27-14-11-16
ETIM 9.0	EC000899
ETIM 10.0	EC000899
ECCN	NO US CLASSIFICATION

Environmental Product Compliance

RoHS Compliance Status	Compliant, No Exemption
------------------------	-------------------------

Approvals / Certificates

General approvals

Declarations of conformity and manufacturer's declarations



Approval	Standard	Certificate Name
EAC GZO Almaty Standart	TP TC 004/2011	EAC CoC 03078

Approval	Standard	Certificate Name
EU-Declaration of Confor- mity WAGO GmbH & Co. KG	-	-

Downloads

Environmental Product Compliance

Compliance Search
Environmental Product Compliance 286-891 ↓

Documentation

Bid Text			
286-891	19.02.2019	xml 3.17 KB	↓
286-891	02.04.2015	doc 23.50 KB	↓

Instruction Leaflet			
Operation and Assemb- ly Instructions Interface	V 1.0.0 02.04.2025	pdf 1246.19 KB	↓

CAD/CAE-Data

CAD data
2D/3D Models 286-891 ↓

CAE data
WSCAD Universe 286-891 ↓
ZUKEN Portal 286-891 ↓

1 Compatible Products

1.1 Optional Accessories

1.1.1 Marking

1.1.1.1 Marker



Item No.: 209-701
WSB marking card; as card; not stretcha-
ble; plain; snap-on type; white

1.1.2 Terminal blocks

1.1.2.1 Terminal block for pluggable modules



Item No.: 280-618

Terminal block for pluggable modules; 4-pole; with 2-conductor terminal blocks; with orange separator; for DIN-rail 35 x 15 and 35 x 7.5; 2.5 mm²; CAGE CLAMP®; 2,50 mm²; gray



Item No.: 280-762

Terminal block for pluggable modules; 4-pole; with 4-conductor terminal blocks; with marker carrier; with orange separator; for DIN-rail 35 x 15 and 35 x 7.5; 2.5 mm²; CAGE CLAMP®; 2,50 mm²; gray



Item No.: 280-608

Terminal block for pluggable modules; 4-pole; with 4-conductor terminal blocks; with orange separator; for DIN-rail 35 x 15 and 35 x 7.5; 2.5 mm²; CAGE CLAMP®; 2,50 mm²; gray