

Presence detector P41MR, 230 V, secondary, 12-13 m, for flush-mounting box, white

353-600021



230 V



secondary



IP20



360°



12 m from a height of 3 m



2 m – 3.5 m



flush-mounting box



Bluetooth®
Low Energy

This flat and discrete presence detector is a secondary detector that extends the detection range of a 230 V master detector. The detector is specially designed for mounting in a standard flush-mounting box (60 or 79 mm screw distance). The detector's settings can be modified using the Niko detector tool app and 2-way Bluetooth® communication between a smartphone and the detector.

Colour: white

Compatible secondary detectors:

Compatible master detectors: 353-600121, 353-601121, 353-601121-2, 353-601121-4, 353-601221, 353-602121, 353-602221, 353-700121, 353-701121, 353-701121-2, 353-701121-4, 353-701221, 353-702121, 353-702221, 353-802111

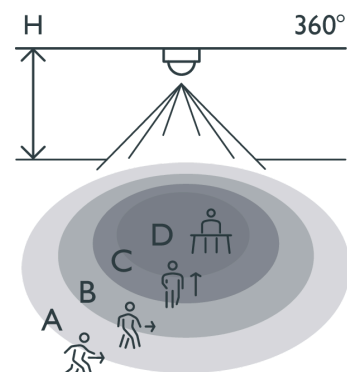
Compatible controls:

This article is protected by at least one patent (or patent application). For more info on patents, see www.niko.eu/innovation.

- Flat and discrete design
- Easy mounting in a standard flush-mounting box (60 or 79 mm diagonal screw distance)
- Quick cabling using screwless and easily accessible plug-in terminals
- User-friendly app for settings (iOS/Android)



Detection range



H	A Walking	B Across	C Towards	D Presence
2.5 m	Ø 13 m	Ø 11 m	Ø 3 m	Ø 5 m
3.0 m	Ø 12 m	Ø 12 m	Ø 3 m	Ø 5 m

Measured according to EN/IEC63180

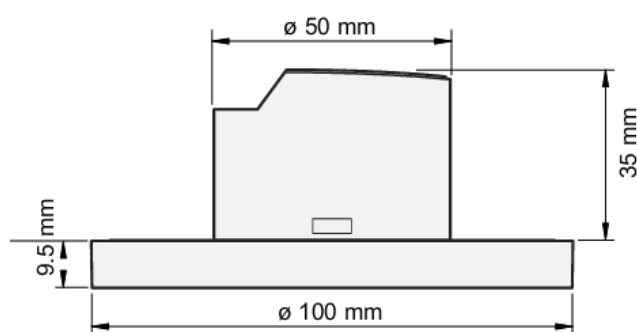


- 2-way Bluetooth® communication ensures quick modification of settings and live feedback in the app
- Pre-configured functions:
- Wireless communication between master and secondary detectors with a repeater function
- Settings and configuration can be locked with a PIN code

Technical features

attribute.compatiblemasterdetectors	353-600121, 353-601121, 353-601121-2, 353-601121-4, 353-601221, 353-602121, 353-602221, 353-700121, 353-701121, 353-701121-2, 353-701121-4, 353-701221, 353-702121, 353-702221, 353-802111
Configuration	secondary
Input voltage	230 Vac
Detector output	230 V (ON/OFF)
Maximum power consumption	0.2 W
Maximum MCB rating	16 A (limited by national installation rules)
Detection angle	360 °
Detection range (PIR)	12 m from a height of 3 m
Minimum ambient temperature	-25 °C
Maximum ambient temperature	+40 °C
Mounting method	flush-mounting box
Mounting height	2 m – 3.5 m
Colour	white
Colour RAL (approximately)	9010
Dimensions visible (HxWxD)	100 mm x 100 mm
Dimensions (HxWxD)	100 mm x 100 mm x 44.5 mm
Maximum range Bluetooth® (free field, depending on the device)	50 m
Operating frequency	2.4 GHz
Maximum radio frequency power	-2 dBm
Protection degree standalone	IP20
Impact resistance	IK02
Modification of settings	Niko detector tool app (iOS-Android) and 2-way Bluetooth® communication
Halogen-free	yes

Dimensions



Wiring diagram

