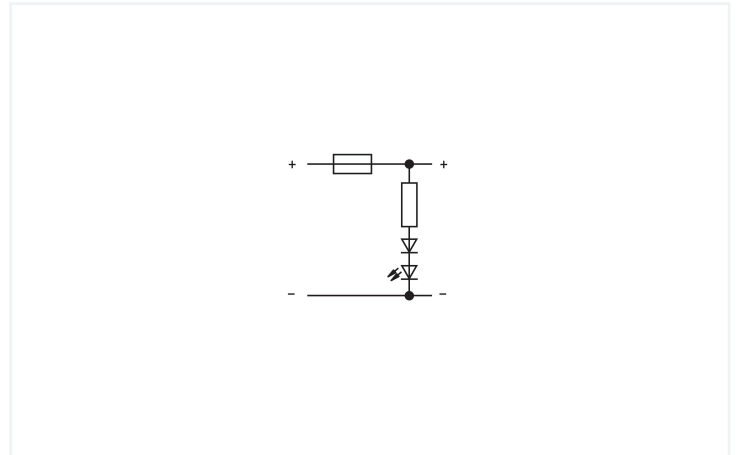


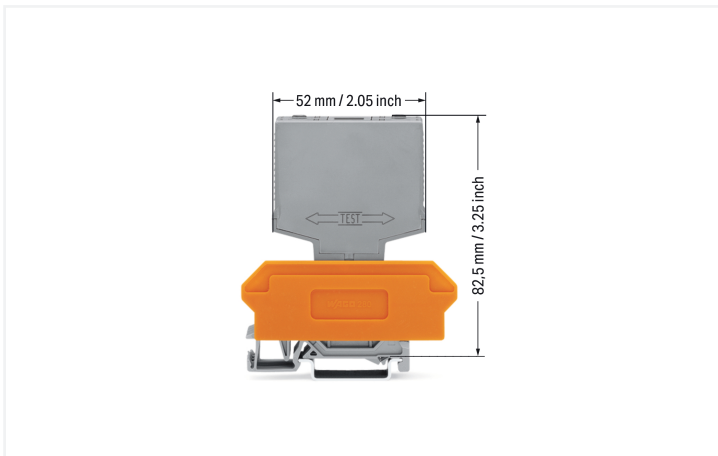
Data Sheet | Item Number: 286-890

Component module with fuse; for (5 x 20) mm microfuse; Nominal voltage: 24 VAC/DC; gray

<https://www.wago.com/286-890>



Color: ■ gray



Electrical data

Nominal operating voltage	24 VAC/VDC
Fuse capacity (max.)	6.3 A
Leakage current in case of a blown fuse	5 mA

Safety and protection

Rated Voltage	250 V
Rated impulse withstand voltage	4 kV
Pollution degree	3

Physical data

Width	10 mm / 0.394 inches
Height	52 mm / 2.047 inches
Depth from upper-edge of DIN-rail	82.5 mm / 3.346 inches
Note (dimensions)	Depth including carrier terminal block

Mechanical data

Mounting type	Pluggable module for receptacle terminal blocks
Housing design	Plug for carrier terminal blocks

Material data

Color	gray
Fire load	0.276 MJ
Weight	14.6 g

Environmental requirements

Ambient temperature (operation)	-25 ... +40 °C
Relative humidity	5 ... 95 % (no condensation permissible)
Operating altitude (max.)	2000 m

Commercial data

Product Group	6 (INTERFACE ELECTRONIC)
PU (SPU)	25 (1) pcs
Packaging type	Box
Country of origin	DE
GTIN	4045454376451
Customs tariff number	85363010000

Product Classification

UNSPSC	39121624
eCl@ss 10.0	27-14-11-16
eCl@ss 9.0	27-14-11-16
ETIM 9.0	EC000899
ETIM 10.0	EC000899
ECCN	NO US CLASSIFICATION

Environmental Product Compliance

CAS-No.	7439-92-1 79-94-7
REACH Candidate List Substance	2,2',6,6'-tetrabromo-4,4'-isopropylidenediphenol Lead
RoHS Compliance Status	Compliant,With Exemption
RoHS Exemption	7(a)
SCIP notification number (Austria)	40aa517a-da4e-4cc2-bf6a-2658ed91aea1
SCIP notification number (Belgium)	7aebf95f-bf56-4072-bd51-18668de85fe8
SCIP notification number (Bulgaria)	d7897013-0ddd-4a8b-938d-a5cbbd7db399
SCIP notification number (Czech Republic)	cb374b40-2fc2-49bd-b060-0c602ef16236
SCIP notification number (Denmark)	f18d2054-26d6-4e02-9d17-61e12ff26e44
SCIP notification number (Finland)	9d8f0225-c01a-4d69-b2d3-634875c28910
SCIP notification number (France)	8a78c84b-beff-4687-a247-0947a94f824d
SCIP notification number (Germany)	d1e8b1a4-3292-414f-ba29-22c7a1150597
SCIP notification number (Hungary)	12a4d881-3449-47d1-b542-950112ddf7dd

Environmental Product Compliance

SCIP notification number (Italy)	b2e9bb72-01e4-43c9-b3d4-cf632aa40592
SCIP notification number (Netherlands)	29b56832-979e-49e9-9f91-4aeaf1ea4970
SCIP notification number (Poland)	902a3f17-1302-458b-b0dd-dbf8f0227f6
SCIP notification number (Romania)	54d0b5e3-2823-4631-94e4-494f9664fc7b
SCIP notification number (Sweden)	a87e806e-cdbe-4a8f-a74e-c583639b86c4

Approvals / Certificates

Declarations of conformity and manufacturer's declarations

Approval	Standard	Certificate Name
EU-Declaration of Confor- mity WAGO GmbH & Co. KG	-	-

Downloads

Environmental Product Compliance

Compliance Search

Environmental Product Compliance 286-890	↓
---	---

Documentation

Bid Text			
286-890	19.02.2019	xml 3.17 KB	↓
286-890	02.04.2015	doc 23.50 KB	↓

Instruction Leaflet			
Operation and Assemb- ly Instructions Interface	V 1.0.0 02.04.2025	pdf 1246.19 KB	↓

CAD/CAE-Data

CAE data

WSCAD Universe 286-890	↓
---------------------------	---

1 Compatible Products

1.1 Optional Accessories

1.1.1 Marking

1.1.1.1 Marker



Item No.: 209-701

WSB marking card; as card; not stretchable; plain; snap-on type; white

1.1.2 Terminal blocks

1.1.2.1 Terminal block for pluggable modules



Item No.: 280-618

Terminal block for pluggable modules; 4-pole; with 2-conductor terminal blocks; with orange separator; for DIN-rail 35 x 15 and 35 x 7.5; 2.5 mm²; CAGE CLAMP®; 2,50 mm²; gray



Item No.: 280-762

Terminal block for pluggable modules; 4-pole; with 4-conductor terminal blocks; with marker carrier; with orange separator; for DIN-rail 35 x 15 and 35 x 7.5; 2.5 mm²; CAGE CLAMP®; 2,50 mm²; gray



Item No.: 280-608

Terminal block for pluggable modules; 4-pole; with 4-conductor terminal blocks; with orange separator; for DIN-rail 35 x 15 and 35 x 7.5; 2.5 mm²; CAGE CLAMP®; 2,50 mm²; gray