

36 608 985 Product version from 6/1/2024



- rosette 60 x 60 mm
- head part with cut-to-length spindle and sleeve
- WRAS

	Brushed Platinum	36 608 985-06
	Chrome	36 608 985-00
	Dark Chrome	36 608 985-19
	Brushed Light Gold (PVD)	36 608 985-27
	Matte Black	36 608 985-33
	Brushed Gold (PVD)	36 608 985-37
	Brushed Chrome	36 608 985-93
	Brushed Dark Platinum	36 608 985-99

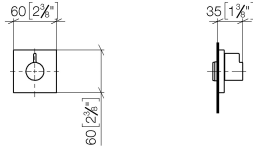
**Required miscellaneous**



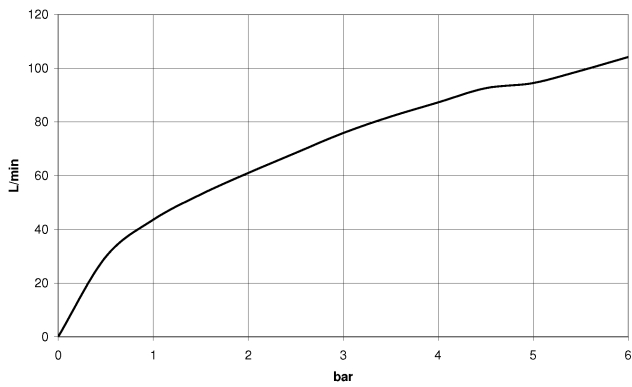
- Wall valve 3/4" -** 35 608 970 90
- min. recess depth 75 mm
  - max. recess depth 145 mm

36 608 985 Product version from 6/1/2024

mm [inches]



**Flow rate chart**



**Codes & Standards**

ASME A112.18.1

cUPC

Scottish Water  
Byelaws

UK Water Supply  
Regulations



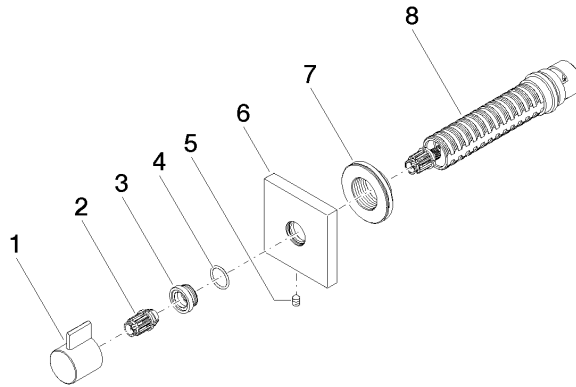
## SYMETRICS Wall valve anti-clockwise closing 3/4" - Brushed Platinum

SYMETRICS

36 608 985 Product version from 6/1/2024

### Certificates and sustainability

WRAS_2010	IAPMO_4976 (	EPD-DOR-20230287 -IBA1-EN Environmental.prod uct-declarat
-----------	--------------	--



## Spare parts list

No.	Item Number	Name	Quantity used	Delivery time
5	90 31 11 004 00 90	grub screw with hexagon socket M5 x 8 mm -	1.00	14
6	09 27 98 014-06	Rosette 60 x 60 x 12,5 mm - Brushed Platinum	1.00	20
8	90 90 03 128 00 90	Head part anti-clockwise closing 3/4" -	1.00	14
7	09 21 02 151 90	Cover Ø 43 x 13 mm -	1.00	14
2	09 12 12 005 90	Fixing cap white Ø 14,5 x 18,5 mm -	1.00	14
1	09 20 98 002-06	Handle Ø 25 x 25 mm - Brushed Platinum	1.00	20
4	09 14 10 017 90	O-Ring EPDM 70 14,0 x 1,5 mm -	1.00	14
3	09 12 12 043-06	Fixing cap mount Ø 19,5 x 9,5 mm - Brushed Platinum	1.00	20