

Features

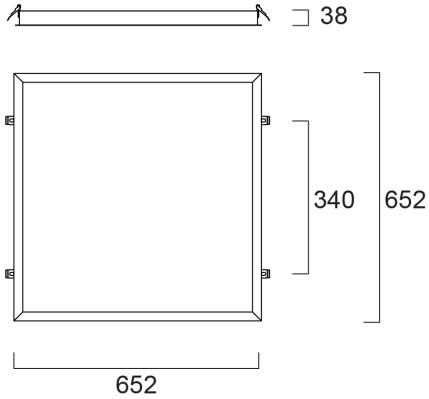
- Plasterboard ceiling frame accessory for panels 600x600mm. Suggested cut-out size 630x630mm. Suitable ceiling thickness 15-40mm.

Product Overview

Product name	Plasterboard Frame 600x600
Technology	Accessory
Housing	Aluminium
Environment	Interior
General application	Education, Office
ETIM Class	EC002557
E-number FI	4279569
Housing colour	RAL9003
Product EAN number	5410288623177
Warranty	5 years

Plasterboard Frame 600x600 0062317

Technical drawings



Data table

GENERAL DATA

Product name	Plasterboard Frame 600x600
Technology	Accessory
Type of accessory	Mounting kit
Housing	Aluminium
Environment	Interior
General application	Education, Office
ETIM Class	EC002557
E-number FI	4279569
Warranty	5 years

ELECTRICAL DATA

Control gear required	No
-----------------------	----

PHYSICAL DATA

Housing colour	RAL9003
----------------	---------

Plasterboard Frame 600x600 0062317

Nominal Product Length (mm)	652
Nominal Product Width (mm)	652
Nominal Product Height (mm)	38
Weight (kg)	0.65

PACKAGING

Product EAN number	5410288623177
Packaging single length / height (cm)	16.6
Packaging single width (cm)	6.2
Packaging single depth (cm)	66.5
DUN14 (inner)	15410288623174
Units per outer package	8
Packaging outer length / height (cm)	68.0
Packaging outer width (cm)	35.0
Packaging outer depth (cm)	27.0

SAFETY DATA

Special purpose lamp	No
Dry applications use only	No
Suitable for household illumination	No