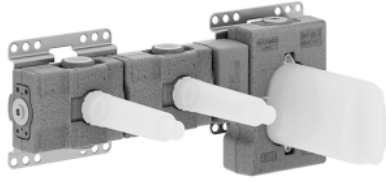


35 524 970 90



- red brass, lead-free
- 2x back flow preventer
- 2x female thread 3/4" connections
- 1x female thread 3/4" outlet for additional valves
- 2x female thread 3/4" outlet
- 4x dust cover
- 4x anti-water packing
- soundproofing
- gauge 120 mm
- suitable for xGRID (when using installation track + 12 mm recess depth)
- WRAS

Recommended miscellaneous



Pre-seal for xTOOL -

90 29 05 031
00 90

Recommended miscellaneous



**xGRID Attachment set for
integrating in the dry wall
construction -**

12 340 970 90

Required miscellaneous



xGRID Installation track 555 mm - 12 360 970 90

Recommended miscellaneous



Extension 28 mm -

12 177 970 90

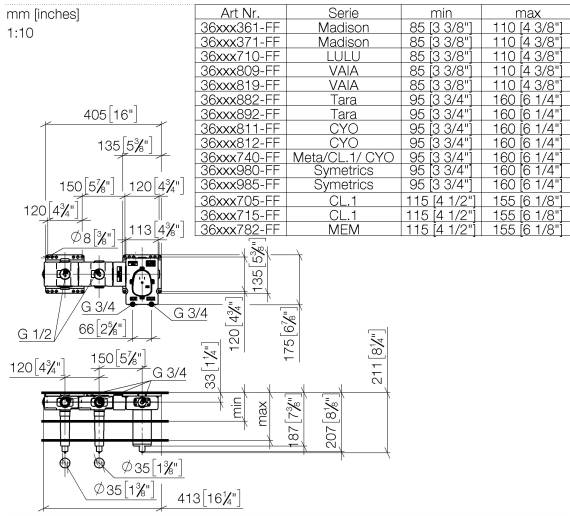
Recommended miscellaneous



Extension 46 mm -

12 178 970 90

35 524 970 90



Codes & Standards

EN 1111

EN 1717

Scottish Water
Byelaws

UK Water Supply
Regulations

XP P 41-280

Certificates and sustainability

WRAS_2011

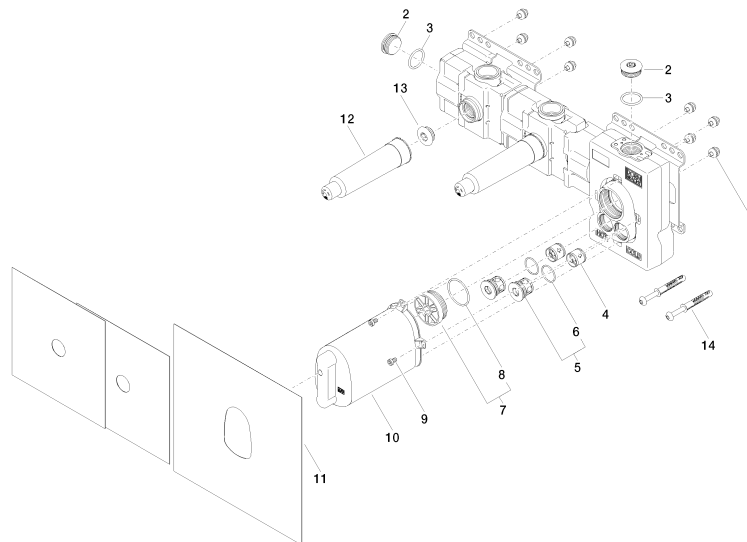
Belgaqua_21-031-2 ACS_21 ACC LY

DVGW_DW-
6512DN0

EPD-DOR-20230287
-IBA1-EN
Environmental.prod
uct-declarat

Belgaqua_25-343-2

35 524 970 90



Spare parts list

No.	Item Number	Name	Quantity used	Delivery time
11	04 14 03 073 06 90	sealing kit xTool kit 2 exits -	1.00	14
14	04 30 31 054 00 90	Attachment set Wood screw with dowel 6 x 70 mm -	2.00	14
5	04 21 34 077 00 90	Plug for xTOOL Ø 27 x 23 mm -	2.00	14
7	04 31 20 100 00 90	Plug M42 x 1,5 -	1.00	14
1	90 23 01 091 00 90	Attachment set Bolt/nut with damping Ø 127 x Ø 6 x 8 mm -	8.00	14
10	04 21 02 174 01 90	Cap -	1.00	14
4	90 23 01 045 00 90	Back-flow preventer Ø 20 x 18 mm, without limitation -	2.00	14
6	09 14 10 098 90	O-Ring 22,0 x 1,6 mm -	2.00	14
8	09 14 10 111 90	O-Ring 36,0 x 2,0 mm -	1.00	14
2	09 31 20 003 90	Plug 3/4" -	4.00	14
13	04 31 20 006 00 90	Plug 1/2" -	2.00	14
3	09 14 10 009 90	O-Ring NBR 70 24,0 x 2,5 mm -	4.00	14
9	09 30 30 169 90	Bolt -	4.00	14
12	90 21 02 190 00 90	Waterproofing cover for wall valve Ø 37 x 149 mm -	2.00	14