

# Concord

LYTESPAN ROUND SET9 M6 SUSPENSION WHT S-9000-P8-W2  
2070351



## Features

- Lytespan Round Track suspension set including: 1 x white bracket with M6 thread, 2 x grooved pins for junction. SET9. Compatible with Lytespan Round Track only.



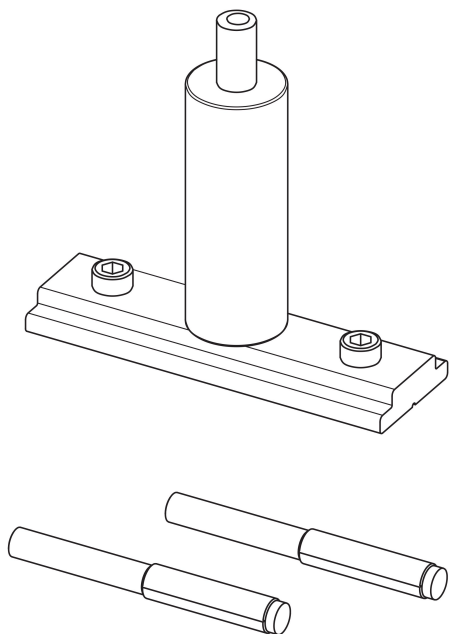
## Product Overview

Product name	LYTESPAN ROUND SET9 M6 SUSPENSION WHT S-9000-P8-W2
Technology	Accessory
Housing	Metal/plastic
Mount	Suspended
General application	Hospitality, Museums & Galleries, Office
ETIM Class	EC002557
Housing colour	White
Product EAN number	5025768703517
Warranty	5 years

# Concord

LYTESPAN ROUND SET9 M6 SUSPENSION WHT S-9000-P8-W2  
2070351

## Technical drawings



## Data table

### GENERAL DATA

<b>Product name</b>	LYTESPAN ROUND SET9 M6 SUSPENSION WHT S-9000-P8-W2
<b>Technology</b>	Accessory
<b>Accessory type</b>	Mounting
<b>Type of accessory</b>	Installation set
<b>Housing</b>	Metal/plastic
<b>Mount</b>	Suspended
<b>General application</b>	Hospitality, Museums & Galleries, Office
<b>ETIM Class</b>	EC002557
<b>Warranty</b>	5 years

# Concord

LYTESPAN ROUND SET9 M6 SUSPENSION WHT S-9000-P8-W2  
2070351

## ELECTRICAL DATA

Control gear required	No
-----------------------	----

## PHYSICAL DATA

Housing colour	White
----------------	-------

Weight (kg)	0.5
-------------	-----

## PACKAGING

Product EAN number	5025768703517
--------------------	---------------

Packaging single length / height (cm)	16.0
---------------------------------------	------

Packaging single width (cm)	16.0
-----------------------------	------

Packaging single depth (cm)	4.0
-----------------------------	-----

DUN14 (inner)	05025768703517
---------------	----------------

Units per outer package	1
-------------------------	---

Packaging outer length / height (cm)	16.0
--------------------------------------	------

Packaging outer width (cm)	16.0
----------------------------	------

Packaging outer depth (cm)	4.0
----------------------------	-----

## SAFETY DATA

Special purpose lamp	No
----------------------	----

Dry applications use only	No
---------------------------	----

Suitable for household illumination	No
-------------------------------------	----