

Features

- Lytespan H-Track accessory. Aluminium LED support, aluminium body, L=2000mm. Compatible with Lytespan H-Track REVERSE/STANDARD use.

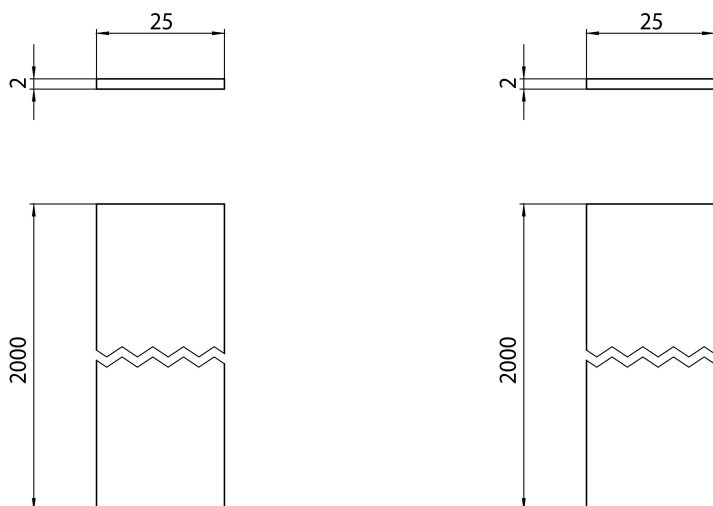
Product Overview

Product name	LYTESPAN H-TRACK STRIP FIXING 2M S-5033/2000
Technology	Accessory
Housing	Aluminium
Mount	Track mounting
General application	Hospitality, Museums & Galleries, Office
ETIM Class	EC002557
Housing colour	Silver
Product EAN number	5025768703722
Warranty	5 years

Concord

LYTESPAN H-TRACK STRIP FIXING 2M S-5033/2000 2070372

Technical drawings



Data table

GENERAL DATA

Product name	LYTESPAN H-TRACK STRIP FIXING 2M S-5033/2000
Technology	Accessory
Accessory type	Reflectors
Type of accessory	Mounting plate
Housing	Aluminium
Mount	Track mounting
General application	Hospitality, Museums & Galleries, Office
ETIM Class	EC002557
Warranty	5 years

Concord

LYTESPAN H-TRACK STRIP FIXING 2M S-5033/2000 2070372

ELECTRICAL DATA

Control gear required	No
-----------------------	----

PHYSICAL DATA

Housing colour	Silver
----------------	--------

Nominal Product Length (mm)	2000
-----------------------------	------

Nominal Product Width (mm)	28.4
----------------------------	------

Nominal Product Height (mm)	12.2
-----------------------------	------

Weight (kg)	1.3
-------------	-----

PACKAGING

Product EAN number	5025768703722
--------------------	---------------

Packaging single length / height (cm)	30.0
---------------------------------------	------

Packaging single width (cm)	30.0
-----------------------------	------

Packaging single depth (cm)	12.5
-----------------------------	------

DUN14 (inner)	05025768703722
---------------	----------------

Units per outer package	20
-------------------------	----

Packaging outer length / height (cm)	30.0
--------------------------------------	------

Packaging outer width (cm)	30.0
----------------------------	------

Packaging outer depth (cm)	12.5
----------------------------	------

SAFETY DATA

Special purpose lamp	No
----------------------	----

Dry applications use only	No
---------------------------	----

Suitable for household illumination	No
-------------------------------------	----