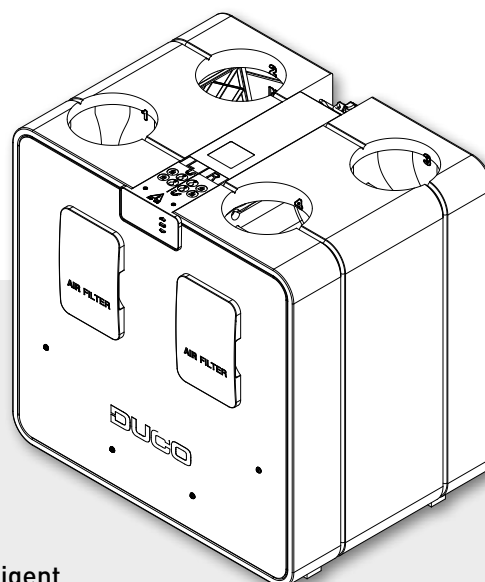


# TECHNICAL DATA SHEET

## DucoBox Energy Comfort D325



The DucoBox Energy Comfort D325 is a **mechanical ventilation unit with heat recovery**. It is a compact and lightweight version of the DucoBox Energy Premium. With a capacity of up to 325 m<sup>3</sup>/h, this is the ideal balanced ventilation solution for apartments and serial housing construction.

The demand control of the DucoBox Energy Comfort results in **intelligent and energy-efficient operation**. Together with the smart demand control based on CO<sub>2</sub> and humidity, the dynamic air distribution filters ensure exceptional efficiency within this compact unit.

The left/right exchange is carried out 100% by software thanks to a patented principle of double by-pass.

Moreover, this lightweight unit weighs just 21 kg. In other words: easy **to install by 1 person**. The **automatic calibration** ensures the device can be installed quickly and professionally.

### Versions

Type	Pulsion and extraction capacity at 150 Pa	2-zone system	Frost protection	Item number
DucoBox Energy Comfort D325	325 m <sup>3</sup> /h	yes (external)	imbalance or external heater	0000-4649

### Optional accessories

Product	Article number
Siphon flat (Energy & Eco)	0000-4376
Communication Print	0000-4251
Humidity Sensor (DucoBox Energy Comfort (Plus))	0000-4723
Mounting Chair Standing (Energy Comfort D325)	0000-4546
Filter set 2 x Coarse 65% (Energy Comfort D325)	0000-4547
Filter set Coarse 65% / ePM1 55% (Energy Comfort D325)	0000-4661
Coaxial cable set 8 m	0000-4418

## Physical characteristics

<b>Width x Height x Depth (mm)</b>	700 x 705 x 525 mm
<b>Casing</b>	Coated sheet steel + EPP
<b>Colours</b>	White + black
<b>Connections</b>	Internal diameter: Ø 160 mm
<b>Condensate drain</b>	Ø 32 mm (1 ¼") [2x]
<b>Heat exchanger</b>	PET / Polystyrene
<b>Material of inside section</b>	EPP / PP / ABS
<b>Weight</b>	21 kg
<b>Power cable length</b>	2 m (from top of unit)
<b>Mounting</b>	Wall mounting (standard) Floor mounting as an option using support frame

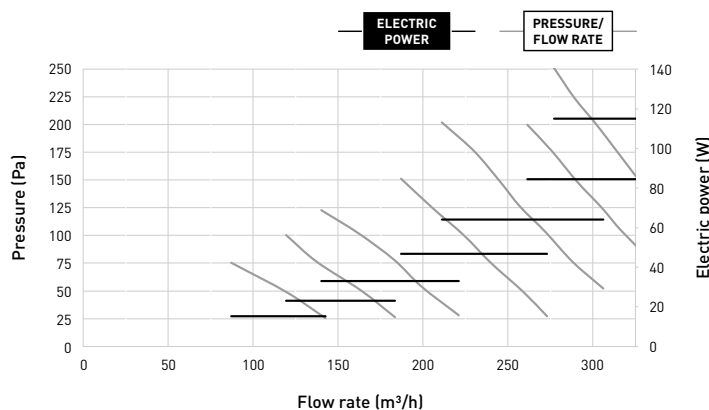
## Electrical characteristics

<b>Maximum electrical power 325 m<sup>3</sup>/h at 150 Pa</b>	118 W (2 x 59 W)
<b>Power supply</b>	230 V, 50 Hz via 3-core power cable with earthed plug
<b>Contacts</b>	0-10 V in/output
<b>Type of motor</b>	DC
<b>IP class</b>	IP40
<b>Energy conversion efficiency</b>	At 325 m <sup>3</sup> /h: 85 % At 279 m <sup>3</sup> /h: 86 % At 227 m <sup>3</sup> /h: 88 %

## Miscellaneous characteristics

<b>Energy class</b>	With 2 sensors (control factor 0.65): A+ Other: A
<b>Filters</b>	Dynamic airflow filter supply air (460 x 185 x 15 mm) Standard: ISO 16890 Coarse 65 % (= G4) Optional: ISO 16890 ePM1 55% (= F7)  Dynamic airflow filter exhaust air (460 x 185 x 15 mm) Standard: ISO 16890 Coarse 65 % (= G4)
<b>Summer by-pass</b>	Fully (100% modulating)
<b>Frost protection</b>	Imbalance or external heater
<b>Fans</b>	EC fan with backward curved blades
<b>Automatic calibration</b>	Yes (constant pressure)
<b>Constant flow regulation</b>	Yes
<b>Passive cooling</b>	Automatic passive cooling control
<b>Operation</b>	Integrated display Use via User controllers and CO <sub>2</sub> or Humidity Sensors Via smartphone / tablet as an option (provided device has Communication Print)
<b>Sensors</b>	<b>Integrated:</b> pressure, temperature, onboard switch sensor <b>External:</b> CO <sub>2</sub> (via optional Sensor), Humidity (via optional Sensor or measurement in ETA line), external Switch Sensor (voltage-free input) (optional)
<b>Communication</b>	<b>Standard:</b> Duco RF, Duco Wired, Switch Sensor <b>Expandable with Communication Print:</b> ModBus, PWM-IN, PWM-OUT, Switch Sensor (3x), Ethernet, Micro SD-card slot

## DucoBox Energy D325 m<sup>3</sup>/h

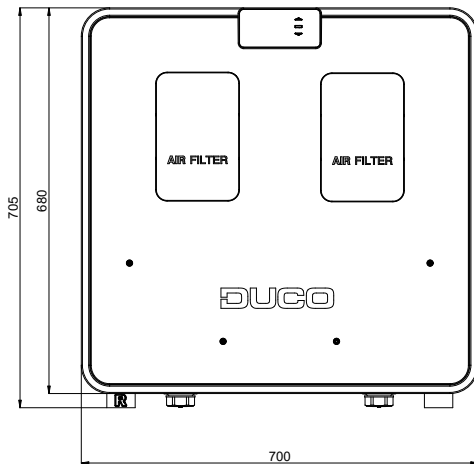


Measurement #	Flow rate m <sup>3</sup> /h	Pressure Pa	Noise level Lw*		
			Supply dB(A)	Extraction dB(A)	Emission from housing dB(A)
1	325	150	69,5	59,0	61,5
2	300	150	68,0	61,0	61,5
3	250	150	64,0	56,5	59,0
4	325	100	69,0	59,5	61,0
5	300	100	66,0	58,0	59,5
6	250	100	63,5	53,0	57,0
7	227,5	50	61,5	48,5	53,5
8	200	50	58,5	47,0	51,5
9	150	25	52,5	42,5	46,5
10	100	25	45,5	37,0	40,0

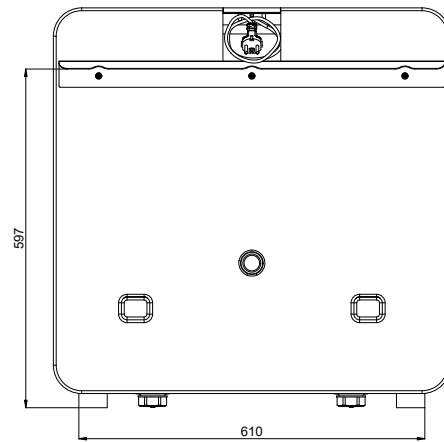
\* Emission from housing measured in accordance with ISO 3741:2010  
Supply and extraction noise level in accordance with ISO 5135:1997 (with channel correction)

# Dimensions of DucoBox Energy Comfort D325

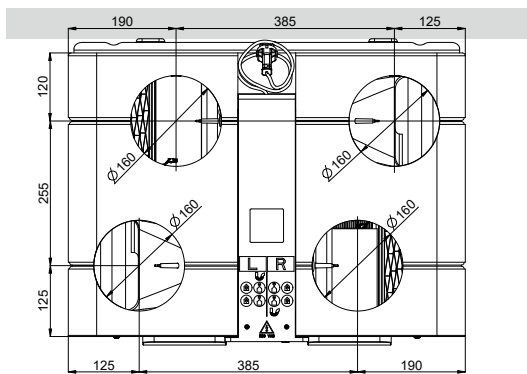
Front view



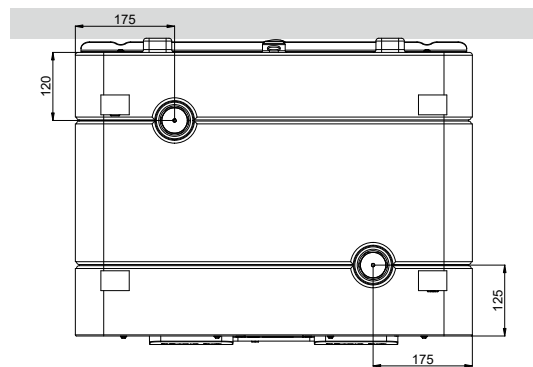
Rear view



Top view



Bottom view



Side view

