

35 427 970 90 Product version from 3/13/2017



- lead-free, dezincification resistant
- 2x back flow preventer
- 2x female thread 1/2" connections
- 3x outlet G 1/2"
- dust cover
- anti-water packing
- sound and thermal insulation
- gauge 70 mm
- suitable for xGRID (when using installation track + 12 mm recess depth)
- WRAS

**Can only be combined with exposed trim parts
36 427 SSS-FF**

Can only be combined with exposed trim parts 36
427 SSS-FF

Required miscellaneous

xGRID Installation track 555 mm - 12 360 970 90



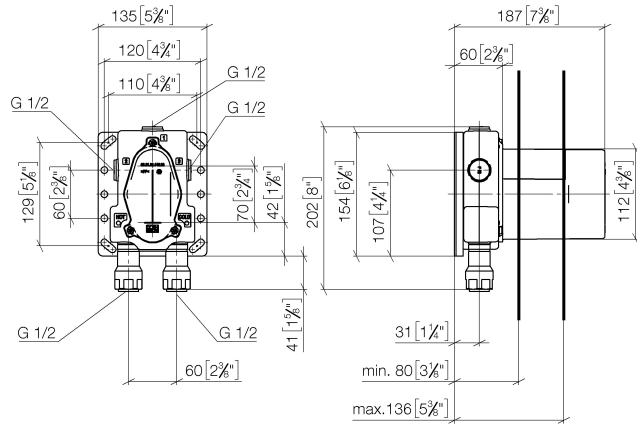
Recommended miscellaneous

**xGRID Attachment set for
integrating in the dry wall
construction - 12 340 970 90**



35 427 970 90 Product version from 3/13/2017

mm [inches]



Codes & Standards

EN 1111

EN 1717

Scottish Water
Byelaws

UK Water Supply
Regulations

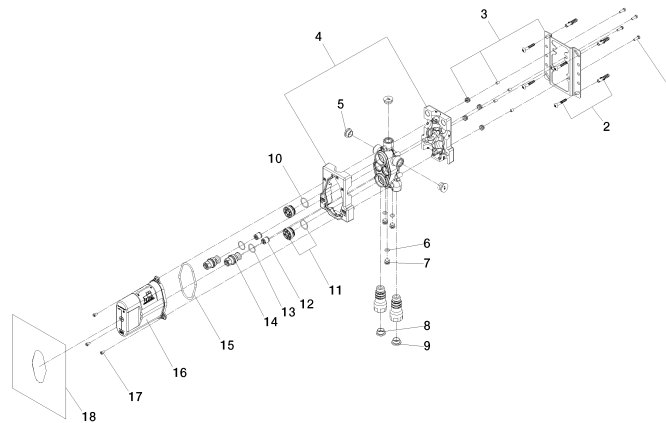
Certificates and sustainability

Belgaqua_22_279_2

DVGW_DW-
6512DN0

WRAS_250402

EPD-DOR-20230287
-IBA1-EN
Environmental.prod
uct-declarat



Spare parts list

No.	Item Number	Name	Quantity used	Delivery time
2	04 30 31 024 01 90	Attachment set Wood screw with dowel 6 x 40 mm -	2.00	14
1	09 30 30 171 90	Mounting Cylinder head screw with hexagon socket Low profile M5 x 16 mm -	4.00	14
3	04 17 20 127 00 90	Holder for thermostat Concealed rough parts 153 x 154 x 14 mm -	1.00	14
7	04 31 20 039 11 90	Plug with O-ring M12 x 1 -	3.00	14
10	09 14 10 112 90	O-Ring 24,0 x 2,0 mm -	2.00	14
5	09 31 20 092 90	Plug natural 1/2" -	3.00	14
15	09 14 10 512 90	O-Ring VMQ 45 80 x 4 mm -	1.00	14
14	09 24 03 219 90	Nipple Ø 27 x 35 mm -	2.00	14
6	09 14 10 139 90	O-Ring EPDM 70 9,0 x 2,0 mm -	3.00	14
8	09 31 20 093 90	Plug red 1/2" -	1.00	14
12	90 23 01 040 00 90	Back-flow preventer Check valve cartridge, DW15 -	2.00	14
13	90 14 10 056 00 90	O-Ring EPDM 70 21,45 x 1,78 mm -	2.00	14
11	04 30 11 149 00 90	Plug with O-ring M32 x 1,5 -	2.00	14
4	90 11 11 077 00 90	Body Thermal insulation -	1.00	14
18	04 14 03 080 00 90	Washer for thermostat wall mounting Packing -	1.00	14
9	09 31 20 094 90	Plug blue 1/2" -	1.00	14
17	09 30 30 112 90	Mounting Cylinder head screw with hexagon socket Low profile M5 x 8 mm -	3.00	14
16	04 21 02 146 00 90	Protective cap for thermostat -	1.00	14