

Data Sheet | Item Number: 713-1416/117-000/997-409

THR male header, 2-row; 0.8 x 0.8 mm solder pin; straight; 100% protected against mismatching; in tape-and-reel packaging; Pin spacing 3.5 mm; 32-pole; black

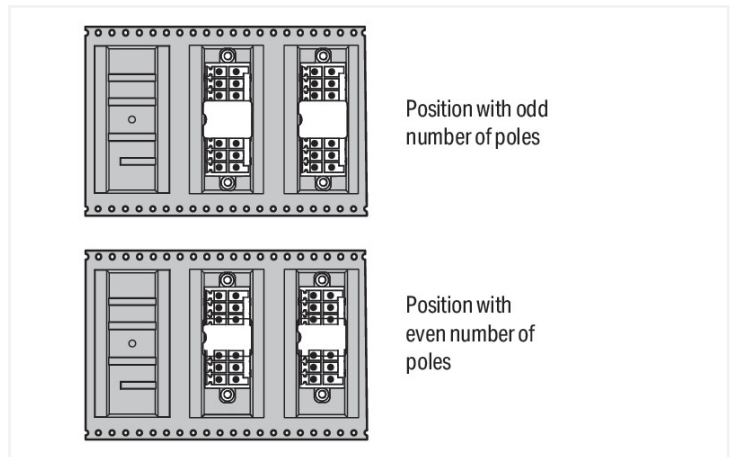
<https://www.wago.com/713-1416/117-000/997-409>



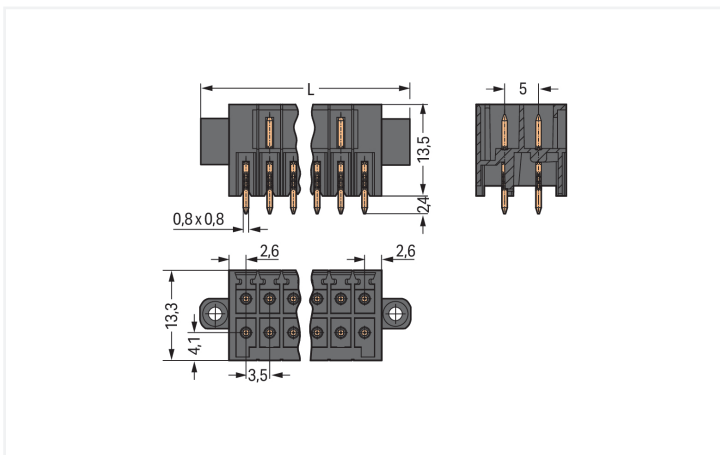
Color: ■ black

Similar to illustration

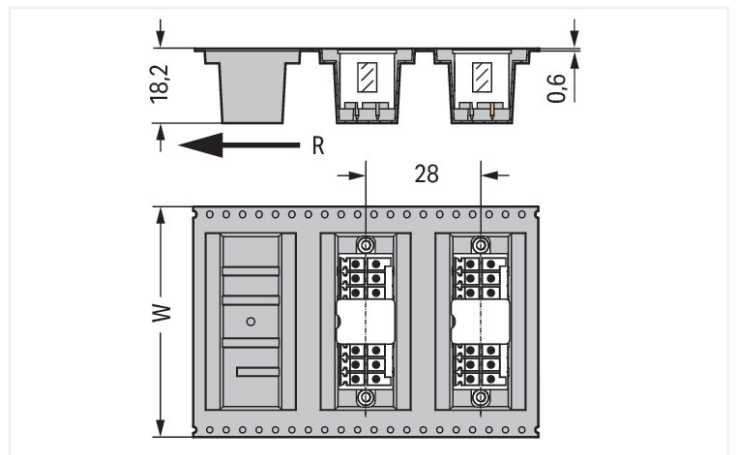
Similar to illustration



Dimensions in mm
 Pin position in tape-and-reel packaging



Dimensions in mm
 $L = [(pole\ no./2) - 1] \times pin\ spacing + 13.6\ mm$



Dimensions in mm
 W = tape width R = feed direction

Male connector, 713 Series, black

This male connector (item number 713-1416/117-000/997-409) provides fault-free electrical installations. Dimensions: (66.1 x 15.9 x 13.3) mm (width x height x depth).

Tin is used for coating the contact surfaces. THR is used to solder the pcb connector.

Notes

Safety Information
The MCS – MULTI CONNECTION SYSTEM includes connectors without breaking capacity in accordance with DIN EN 61984. When used as intended, these connectors must not be connected/disconnected when live or under load. When used as intended, these connectors must not be connected/disconnected when live or under load. The circuit design should ensure header pins, which can be touched, are not live when unmated.

Variants:
Other pole numbers
Other solder pin lengths
Gold-plated or partially gold-plated contact surfaces
Other versions (or variants) can be requested from WAGO Sales or configured at <https://configurator.wago.com/>.

Electrical data

Ratings per	IEC/EN 60664-1		
Overvoltage category	III	III	II
Pollution degree	3	2	2
Nominal voltage	80 V	160 V	250 V
Rated impulse withstand voltage	2.5 kV	2.5 kV	2.5 kV
Rated current	10 A	10 A	10 A

Approvals per	UL 1059		
Use group	B	C	D
Rated voltage	150 V	50 V	-
Rated current	10 A	10 A	-

Approvals per	CSA		
Use group	B	C	D
Rated voltage	150 V	-	-
Rated current	12 A	-	-

Connection Data

Total number of potentials	32
Number of connection types	1
Number of levels	2

Connection 1	
Pole number	32

Physical data

Pin spacing	3.5 mm / 0.138 inches
Width	66.1 mm / 2.602 inches
Height	15.9 mm / 0.626 inches
Height from the surface	13.5 mm / 0.531 inches
Depth	13.3 mm / 0.524 inches
Solder pin length	2.4 mm
Solder pin dimensions	0.8 x 0.8 mm
Plated through-hole diameter (THR)	1.3 (+0.1) mm
Reel diameter of tape-and-reel packaging	330 mm
Tape width	88 mm

Mechanical data

Variable coding	Yes
Anti-rotation protection	Yes

Plug-in connection

Contact type (pluggable connector)	Male connector/plug
Connector (connection type)	for PCB
Mismating protection	Yes
Mating direction to the PCB	90 °
Locking of plug-in connection	Threaded flange

PCB contact

PCB contact	THR
Solder pin arrangement	over the entire male connector (in-line)
Number of solder pins per potential	1

Material data

Note (material data)	Information on material specifications can be found here
Color	black
Material group	I
Insulation material (main housing)	Polyphthalamide (PPA GF)
Flammability class per UL94	V0
Contact material	Electrolytic copper (E _{Cu})
Contact Plating	Tin
Fire load	0 MJ
Weight	8.6 g
MSL per J-STD 020D	1

Environmental requirements

Limit temperature range	-60 ... +100 °C
Processing temperature	-35 ... +60 °C

Commercial data

PU (SPU)	120 pcs
Packaging type	Bag
Country of origin	DE
GTIN	4050821308942
Customs tariff number	85366930000

Product Classification

UNSPSC	39121409
eCl@ss 10.0	27-44-04-02
eCl@ss 9.0	27-44-04-02
ETIM 9.0	EC002637
ETIM 10.0	EC002637
ECCN	NO US CLASSIFICATION

Environmental Product Compliance

RoHS Compliance Status	Compliant,With Exemption
RoHS Exemption	6(c)
SCIP notification number (Austria)	e555d969-e88e-405c-8395-834c71d02853
SCIP notification number (Belgium)	8b1ee73d-25da-4626-b0ac-64cf0d39277e
SCIP notification number (Bulgaria)	e54ac71c-138e-4cf0-a172-a13cea4a9bf9
SCIP notification number (Czech Republic)	6edd422c-84ee-4330-8c88-219a8452c5b9
SCIP notification number (Denmark)	4740f0ad-8a56-441f-8257-9d3c3a8c1643
SCIP notification number (Finland)	eca3909f-fb26-4f45-8221-9725e814d2f0
SCIP notification number (France)	0c4cde49-6231-40c2-9676-7aba56182e22
SCIP notification number (Germany)	ab80d43e-b785-4892-b183-deae4ff8a00f
SCIP notification number (Hungary)	7963da9e-d678-47fe-9e17-0ce35aba0d4a
SCIP notification number (Italy)	60521b37-d90e-48aa-9b66-70740a5cb3da
SCIP notification number (Netherlands)	ad15f55a-aced-4ebb-84b9-66c426c9f39f
SCIP notification number (Poland)	1e84064a-678f-4909-9ae8-690f2e8d5a91
SCIP notification number (Romania)	606d642b-6ee5-4282-a2e8-345040723c4d
SCIP notification number (Sweden)	031a55cf-444f-40d1-babd-ed675012d285

Approvals / Certificates

General approvals



Approval	Standard	Certificate Name
CB DEKRA Certification B.V.	IEC 61984	NL-102427
CSA CSA Group	C22.2	2315087
KEMA/KEUR DEKRA Certification B.V.	EN 61984	71-126089

Declarations of conformity and manufacturer's declarations



Approval	Standard	Certificate Name
Railway WAGO GmbH & Co. KG	-	Z00004424.000

Downloads

Environmental Product Compliance

Compliance Search



Documentation

Additional Information

Technical Section	03.04.2019	pdf 2027.26 KB	
		pdf 535.32 KB	

CAD/CAE-Data

CAD data



PCB Design



1 Compatible Products

1.1 System counterpart

1.1.1 Female connector/socket



[Item No.: 713-1116/107-000](#)

1-conductor female connector, 2-row; CA-GE CLAMP®; 1.5 mm²; Pin spacing 3.5 mm; 32-pole; 100% protected against mismatching; Screw flange; black

1.2 Optional Accessories

1.2.1 Coding

1.2.1.1 Coding

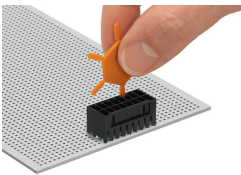


[Item No.: 714-101](#)

Coding key; orange

Installation Notes

Coding



Coding a male header by inserting a coding pin.