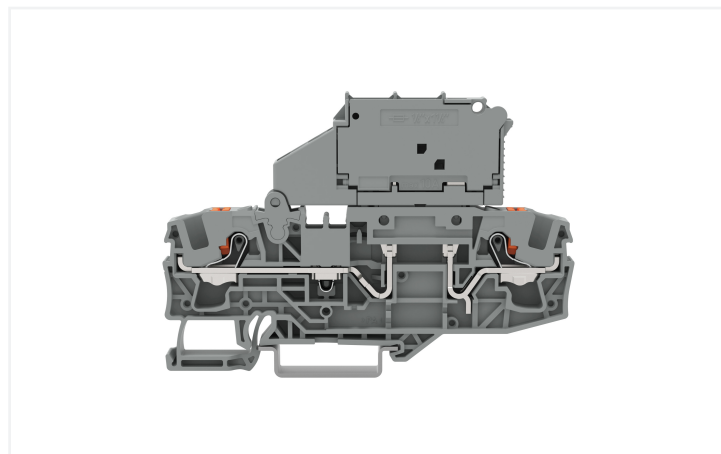
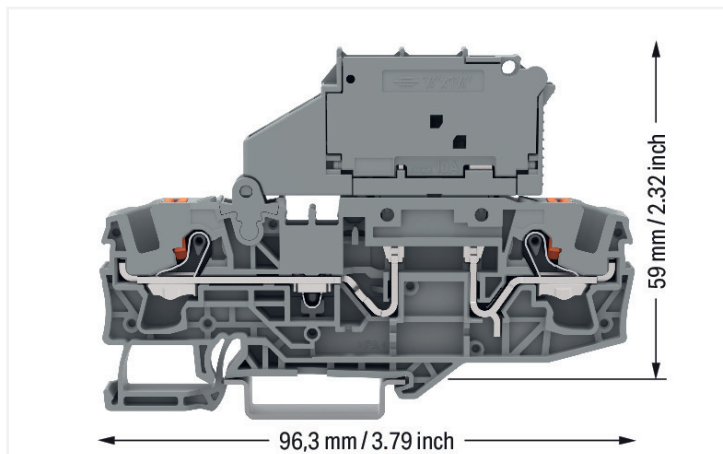


## Data Sheet | Item Number: 2206-1631/1099-867

2-conductor fuse terminal block; with pivoting fuse holder; with end plate; for glass cartridge fuse 1/4" x 1 1/4"; with push-button; with blown fuse indication by LED; 120 V; for DIN-rail 35 x 15 and 35 x 7.5; 6 mm<sup>2</sup>; Push-in CAGE CLAMP®; gray



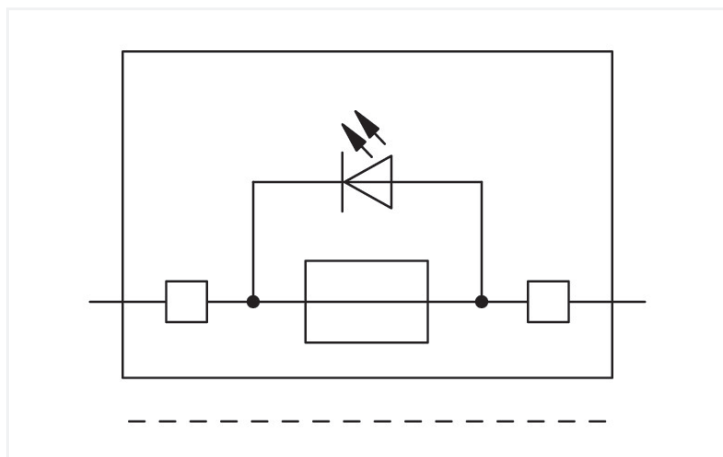
<https://www.wago.com/2206-1631/1099-867>



Color: ■ gray

Similar to illustration

Similar to illustration



Similar to illustration

### Fuse terminal block, 2206 Series, Push-in CAGE CLAMP®

Connect conductors quickly and safely with this fuse terminal block (item number 2206-1631/1099-867). Strip lengths must be between 13 and 15 mm when connecting conductors to this fuse terminal block. Featuring conductor terminals along with Push-in CAGE CLAMP®, this product outperforms the competition. Our Push-in CAGE CLAMP® is a universal, maintenance-free connection solution for all conductor types, boasting a key feature: It allows direct insertion of both solid and fine-stranded conductors with ferrules without needing tools. No preparation is required; for example, crimping the conductor's ferrule is not necessary. This fuse terminal block is suitable for conductor cross sections ranging from 0.5 mm<sup>2</sup> to 10 mm<sup>2</sup>.

## Notes

## Safety Information

The 2 mm test slot is only approved for high impedance measurement up to max. 100 mA.

## Electrical data

| Ratings per                     | IEC/EN 60947-7-3 |     |    |
|---------------------------------|------------------|-----|----|
| Overvoltage category            | III              | III | II |
| Pollution degree                | 3                | 2   | 2  |
| Nominal voltage                 | 800 V            | -   | -  |
| Rated impulse withstand voltage | 8 kV             | -   | -  |
| Rated current                   | 10 A             | -   | -  |

## Ratings per IEC/EN – Notes

|                      |   |
|----------------------|---|
| Ratings (note)       | Electrical ratings are given by the fuse and blown fuse indication. |
| Rated current (note) | Leakage current in case of a blown fuse: LED 2 mA                   |

## Approvals per

|               | UL 1059 |       |   |
|---------------|---------|-------|---|
| Use group     | B       | C     | D |
| Rated voltage | 120 V   | 120 V | - |
| Rated current | 15 A    | 15 A  | - |

## Approvals per

|               | CSA 22.2 No 158 |       |   |
|---------------|-----------------|-------|---|
| Use group     | B               | C     | D |
| Rated voltage | 120 V           | 120 V | - |
| Rated current | 15 A            | 15 A  | - |

## Power Loss

|   |       |
|---|-------|
| Maximum power loss $P_{loss}$ of fuse insert for overload and short-circuit protection (individual arrangement) | 2.5 W |
| Maximum power loss $P_{loss}$ of fuse insert for overload and short-circuit protection (block arrangement)      | 2.5 W |
| Power loss $P_I$ max. short-circuit protection (individual arrangement)   | 2.5 W |
| Power loss $P_{loss}$ (max.) of fuse cartridge for short-circuit protection (block arrangement)                 | 2.5 W |

## General information

|                  |                            |
|------------------|----------------------------|
| Fuse receptacle  | pivoting                   |
| Fuse type        | Cylindrical fuse; ¼" x 1¼" |
| Wiring direction | Front-entry wiring         |

## Connection Data

|                            |   |
|----------------------------|---|
| Clamping units             | 2 |
| Total number of potentials | 1 |
| Number of levels           | 1 |

## Connection 1

|  |   |
|--|---|
| Connection technology                                      | Push-in CAGE CLAMP®   |
| Actuation type   | Push-button   |
| Connectable conductor materials                            | Copper  |
| Nominal cross-section                                      | 6 mm <sup>2</sup>   |
| Solid conductor  | 0.5 ... 10 mm <sup>2</sup> / 20 ... 8 AWG   |
| Solid conductor; push-in termination                       | 1 ... 10 mm <sup>2</sup> / 14 ... 8 AWG   |
| Fine-stranded conductor                                    | 0.5 ... 10 mm <sup>2</sup> / 20 ... 8 AWG   |
| Fine-stranded conductor; with insulated ferrule            | 0.5 ... 6 mm <sup>2</sup> / 20 ... 10 AWG   |
| Fine-stranded conductor; with ferrule; push-in termination | 2.5 ... 6 mm <sup>2</sup> / 16 ... 10 AWG   |
| Note (conductor cross-section)                             | Depending on the conductor characteristic, a conductor with a smaller cross-section can also be inserted via push-in termination. |
| Strip length   | 13 ... 15 mm / 0.51 ... 0.59 inches   |
| Wiring direction   | Front-entry wiring  |

### Physical data

|                                   |                        |
|-----------------------------------|------------------------|
| Width                             | 10.4 mm / 0.409 inches |
| Height                            | 96.3 mm / 3.791 inches |
| Depth from upper-edge of DIN-rail | 59 mm / 2.323 inches   |

### Mechanical data

|               |                     |
|---------------|---------------------|
| Mounting type | DIN-35 rail         |
| Marking level | Center/side marking |

### Material data

|                                    |  |
|------------------------------------|--|
| Note (material data)               | <a href="#">Information on material specifications can be found here</a> |
| Color                              | gray   |
| Material group                     | I  |
| Insulation material (main housing) | Polyamide (PA66)   |
| Flammability class per UL94        | V0   |
| Fire load                          | 0.601 MJ   |
| Actuator color                     | orange   |
| Weight                             | 29.3 g   |

### Environmental requirements

|                                  |                |
|----------------------------------|----------------|
| Processing temperature           | -35 ... +50 °C |
| Continuous operating temperature | -60 ... +50 °C |

### Commercial data

|                       |               |
|-----------------------|---------------|
| PU (SPU)              | 25 pcs        |
| Packaging type        | Box           |
| Country of origin     | PL            |
| GTIN                  | 4066966306149 |
| Customs tariff number | 85369095000   |

### Product Classification

|           |                      |
|-----------|----------------------|
| UNSPSC    | 39121410             |
| ETIM 9.0  | EC000899             |
| ETIM 10.0 | EC000899             |
| ECCN      | NO US CLASSIFICATION |

### Environmental Product Compliance

|   |   |
|---|---|
| CAS-No.                                   | 1303-86-2<br>1317-36-8<br>7439-92-1       |
| REACH Candidate List Substance            | Diboron trioxide<br>Lead<br>Lead monoxide |
| RoHS Compliance Status                    | Compliant,With Exemption                  |
| RoHS Exemption                            | 7(c)-I                                    |
| SCIP notification number (Austria)        | f1aec321-8902-4fb7-a592-d473759efc1d      |
| SCIP notification number (Belgium)        | d294686b-f3ed-44c0-85e4-5bc5835a2bb8      |
| SCIP notification number (Bulgaria)       | ce892215-5d58-411a-a039-fab044a76b9b      |
| SCIP notification number (Czech Republic) | 6071b33c-f1db-4bc6-b655-6770bf8e2275      |
| SCIP notification number (Denmark)        | ed4d1085-daac-422b-a0ff-61697248b459      |
| SCIP notification number (Finland)        | 11829c42-0130-484f-aa72-2cc54ebc2676      |
| SCIP notification number (France)         | 5d17ed65-9203-4ea1-9afa-78a9d5241403      |
| SCIP notification number (Germany)        | 07c32012-5665-4588-97b5-f889b657a151      |

### Environmental Product Compliance

|  |                                      |
|--|--------------------------------------|
| SCIP notification number (Hungary)     | c64eef7d-2b63-426f-9a51-6291e9f92604 |
| SCIP notification number (Italy)       | ee2c647c-8adb-4157-946c-6cc4e0d8c5d2 |
| SCIP notification number (Netherlands) | 89cdc066-1f00-4e7d-8a51-5dc1893ce9d9 |
| SCIP notification number (Poland)      | 268dbacc-7c5c-45ad-8244-32b86b696ce1 |
| SCIP notification number (Romania)     | a80b700d-1c0c-48b5-ad9f-892ff1dab6df |
| SCIP notification number (Sweden)      | d21c4929-beae-4b3c-932d-5466ddfa8094 |

### Approvals / Certificates

#### Declarations of conformity and manufacturer's declarations


| Approval  | Standard | Certificate Name |
|---|----------|------------------|
| EU-Declaration of Confor-<br>mity<br>WAGO GmbH & Co. KG | -        | -                |

### Downloads

#### Environmental Product Compliance

| Compliance Search   |
|---|
| Environmental Product<br>Compliance<br>2206-1631/1099-867  |

#### CAD/CAE-Data

| CAD data   |
|--|
| 2D/3D Models<br>2206-1631/1099-867  |

### 1 Compatible Products

#### 1.1 Required Accessories

##### 1.1.1 End plate

##### 1.1.1.1 End plate



[Item No.: 2006-991](#)  
End plate for fuse terminal blocks; 2 mm thick; gray

[Item No.: 2006-992](#)  
End plate for fuse terminal blocks; 2 mm thick; orange

## 1.2 Optional Accessories

### 1.2.1 Cover

#### 1.2.1.1 Cover



**Item No.: 2006-191**

Lockout cap; for wire insertion and actuating opening; gray

### 1.2.2 DIN-rail

#### 1.2.2.1 Mounting accessories



**Item No.: 210-196**

Aluminum carrier rail; 35 x 8.2 mm; 1.6 mm thick; 2 m long; unslotted; similar to EN 60715; silver-colored



**Item No.: 210-198**

Copper carrier rail; 35 x 15 mm; 2.3 mm thick; 2 m long; unslotted; according to EN 60715; copper-colored



**Item No.: 210-508**

Steel carrier rail; 35 x 15 mm; 1.5 mm thick; 2 m long; slotted; galvanized; similar to EN 60715; silver-colored



**Item No.: 210-197**

Steel carrier rail; 35 x 15 mm; 1.5 mm thick; 2 m long; slotted; similar to EN 60715; silver-colored



**Item No.: 210-506**

Steel carrier rail; 35 x 15 mm; 1.5 mm thick; 2 m long; unslotted; galvanized; similar to EN 60715; silver-colored



**Item No.: 210-114**

Steel carrier rail; 35 x 15 mm; 1.5 mm thick; 2 m long; unslotted; similar to EN 60715; silver-colored



**Item No.: 210-118**

Steel carrier rail; 35 x 15 mm; 2.3 mm thick; 2 m long; unslotted; according to EN 60715; silver-colored



**Item No.: 210-115**

Steel carrier rail; 35 x 7.5 mm; 1 mm thick; 2 m long; slotted; according to EN 60715; "Hole width 18 mm; silver-colored



**Item No.: 210-112**

Steel carrier rail; 35 x 7.5 mm; 1 mm thick; 2 m long; slotted; according to EN 60715; "Hole width 25 mm; silver-colored



**Item No.: 210-504**

Steel carrier rail; 35 x 7.5 mm; 1 mm thick; 2 m long; slotted; galvanized; according to EN 60715; silver-colored



**Item No.: 210-113**

Steel carrier rail; 35 x 7.5 mm; 1 mm thick; 2 m long; unslotted; according to EN 60715; silver-colored



**Item No.: 210-505**

Steel carrier rail; 35 x 7.5 mm; 1 mm thick; 2 m long; unslotted; galvanized; according to EN 60715; silver-colored

### 1.2.3 Installation

#### 1.2.3.1 Cover



**Item No.: 709-156**

Cover; Type 3; suitable for cover carrier, type 3; 1 m long; transparent

#### 1.2.3.2 Cover carrier



**Item No.: 709-169**

Cover carrier; Type 3; incl. fixing/retaining screws and knurled nut; suitable for 279 to 282 and 880 Series rail-mounted terminal blocks; suitable for 264 Series miniature rail-mounted terminal blocks; suitable for 270 Series sensor and actuator terminal blocks; gray

## 1.2.4 Jumper

### 1.2.4.1 Jumper



**Item No.: 2002-433**

Jumper; from 1 to 3; insulated; light gray



**Item No.: 2002-435**

Jumper; from 1 to 5; insulated; light gray



**Item No.: 2002-437**

Jumper; from 1 to 7; insulated; light gray



**Item No.: 2002-439**

Jumper; from 1 to 9; insulated; light gray



**Item No.: 2002-405/011-000**

Star point jumper; 3-way; insulated; light gray

## 1.2.5 Locking system

### 1.2.5.1 Locking system



**Item No.: 210-254**

Interlocking link; mechanically locks multiple links; 1 m long; transparent

## 1.2.6 Marking

### 1.2.6.1 Marker



**Item No.: 2009-145/000-006**

Mini-WSB In-line; for Smart Printer; 1700 pieces on roll; stretchable 5 - 5.2 mm; plain; snap-on type; blue



**Item No.: 2009-145/000-007**

Mini-WSB In-line; for Smart Printer; 1700 pieces on roll; stretchable 5 - 5.2 mm; plain; snap-on type; gray



**Item No.: 2009-145/000-023**

Mini-WSB In-line; for Smart Printer; 1700 pieces on roll; stretchable 5 - 5.2 mm; plain; snap-on type; green



**Item No.: 2009-145/000-012**

Mini-WSB In-line; for Smart Printer; 1700 pieces on roll; stretchable 5 - 5.2 mm; plain; snap-on type; orange



**Item No.: 2009-145/000-005**

Mini-WSB In-line; for Smart Printer; 1700 pieces on roll; stretchable 5 - 5.2 mm; plain; snap-on type; red



**Item No.: 2009-145/000-024**

Mini-WSB In-line; for Smart Printer; 1700 pieces on roll; stretchable 5 - 5.2 mm; plain; snap-on type; violet



**Item No.: 2009-145**

Mini-WSB In-line; for Smart Printer; 1700 pieces on roll; stretchable 5 - 5.2 mm; plain; snap-on type; white



**Item No.: 2009-145/000-002**

Mini-WSB In-line; for Smart Printer; 1700 pieces on roll; stretchable 5 - 5.2 mm; plain; snap-on type; yellow



**Item No.: 248-501/000-006**

Mini-WSB marking card; as card; not stretchable; plain; snap-on type; blue



**Item No.: 248-501/000-007**

Mini-WSB marking card; as card; not stretchable; plain; snap-on type; gray



**Item No.: 248-501/000-023**

Mini-WSB marking card; as card; not stretchable; plain; snap-on type; green



**Item No.: 248-501/000-017**

Mini-WSB marking card; as card; not stretchable; plain; snap-on type; light green



**Item No.: 248-501/000-012**

Mini-WSB marking card; as card; not stretchable; plain; snap-on type; orange



**Item No.: 248-501/000-005**

Mini-WSB marking card; as card; not stretchable; plain; snap-on type; red



**Item No.: 248-501/000-024**

Mini-WSB marking card; as card; not stretchable; plain; snap-on type; violet



**Item No.: 248-501**

Mini-WSB marking card; as card; not stretchable; plain; snap-on type; white



**Item No.: 248-501/000-002**

Mini-WSB marking card; as card; not stretchable; plain; snap-on type; yellow



**Item No.: 793-5501/000-006**

WMB marking card; as card; for terminal block width 5 - 17.5 mm; stretchable 5 - 5.2 mm; plain; snap-on type; blue



**Item No.: 793-5501/000-014**

WMB marking card; as card; for terminal block width 5 - 17.5 mm; stretchable 5 - 5.2 mm; plain; snap-on type; brown



**Item No.: 793-5501/000-007**

WMB marking card; as card; for terminal block width 5 - 17.5 mm; stretchable 5 - 5.2 mm; plain; snap-on type; gray



**Item No.: 793-5501/000-023**

WMB marking card; as card; for terminal block width 5 - 17.5 mm; stretchable 5 - 5.2 mm; plain; snap-on type; green



**Item No.: 793-5501/000-017**

WMB marking card; as card; for terminal block width 5 - 17.5 mm; stretchable 5 - 5.2 mm; plain; snap-on type; light green



**Item No.: 793-5501/000-012**

WMB marking card; as card; for terminal block width 5 - 17.5 mm; stretchable 5 - 5.2 mm; plain; snap-on type; orange



**Item No.: 793-5501/000-005**

WMB marking card; as card; for terminal block width 5 - 17.5 mm; stretchable 5 - 5.2 mm; plain; snap-on type; red

1.2.6.1 Marker



**Item No.: 793-5501/000-024**  
WMB marking card; as card; for terminal block width 5 - 17.5 mm; stretchable 5 - 5.2 mm; plain; snap-on type; violet



**Item No.: 793-5501**  
WMB marking card; as card; for terminal block width 5 - 17.5 mm; stretchable 5 - 5.2 mm; plain; snap-on type; white



**Item No.: 793-5501/000-002**  
WMB marking card; as card; for terminal block width 5 - 17.5 mm; stretchable 5 - 5.2 mm; plain; snap-on type; yellow



**Item No.: 793-501/000-006**  
WMB marking card; as card; not stretchable; plain; snap-on type; blue



**Item No.: 793-501/000-007**  
WMB marking card; as card; not stretchable; plain; snap-on type; gray



**Item No.: 793-501/000-023**  
WMB marking card; as card; not stretchable; plain; snap-on type; green



**Item No.: 793-501/000-017**  
WMB marking card; as card; not stretchable; plain; snap-on type; light green



**Item No.: 793-501/000-012**  
WMB marking card; as card; not stretchable; plain; snap-on type; orange



**Item No.: 793-501/000-005**  
WMB marking card; as card; not stretchable; plain; snap-on type; red



**Item No.: 793-501/000-024**  
WMB marking card; as card; not stretchable; plain; snap-on type; violet



**Item No.: 793-501**  
WMB marking card; as card; not stretchable; plain; snap-on type; white



**Item No.: 793-501/000-002**  
WMB marking card; as card; not stretchable; plain; snap-on type; yellow



**Item No.: 2009-115/000-006**  
WMB-Inline; for Smart Printer; 1500 pieces on roll; stretchable 5 - 5.2 mm; plain; snap-on type; blue



**Item No.: 2009-115/000-007**  
WMB-Inline; for Smart Printer; 1500 pieces on roll; stretchable 5 - 5.2 mm; plain; snap-on type; gray



**Item No.: 2009-115/000-023**  
WMB-Inline; for Smart Printer; 1500 pieces on roll; stretchable 5 - 5.2 mm; plain; snap-on type; green



**Item No.: 2009-115/000-017**  
WMB-Inline; for Smart Printer; 1500 pieces on roll; stretchable 5 - 5.2 mm; plain; snap-on type; light green



**Item No.: 2009-115/000-012**  
WMB-Inline; for Smart Printer; 1500 pieces on roll; stretchable 5 - 5.2 mm; plain; snap-on type; orange



**Item No.: 2009-115/000-005**  
WMB-Inline; for Smart Printer; 1500 pieces on roll; stretchable 5 - 5.2 mm; plain; snap-on type; red



**Item No.: 2009-115/000-024**  
WMB-Inline; for Smart Printer; 1500 pieces on roll; stretchable 5 - 5.2 mm; plain; snap-on type; violet



**Item No.: 2009-115**  
WMB-Inline; for Smart Printer; 1500 pieces on roll; stretchable 5 - 5.2 mm; plain; snap-on type; white



**Item No.: 2009-115/000-002**  
WMB-Inline; for Smart Printer; 1500 pieces on roll; stretchable 5 - 5.2 mm; plain; snap-on type; yellow

1.2.6.2 Marker carrier



**Item No.: 2009-198**  
Adaptor; gray

1.2.6.3 Marking strip



**Item No.: 2009-110**  
Marking strips; for Smart Printer; on reel; not stretchable; plain; snap-on type; white

1.2.7 Screwless end stop

1.2.7.1 Mounting accessories



**Item No.: 249-117**  
Screwless end stop; 10 mm wide; for DIN-rail 35 x 15 and 35 x 7.5; gray



**Item No.: 249-116**  
Screwless end stop; 6 mm wide; for DIN-rail 35 x 15 and 35 x 7.5; gray

## 1.2.8 Test and measurement

### 1.2.8.1 Testing accessories



**Item No.: 210-136**

Test plug; 2 mm Ø; with 500 mm cable; red

## 1.2.9 Tool

### 1.2.9.1 Operating tool



**Item No.: 210-721**

Operating tool; Blade: 5.5 x 0.8 mm; with a partially insulated shaft; multicoloured