

Concord

LYTESPAN ROUND T-FEED IN-RIGHT WHT 9016-ST15/W 2070335



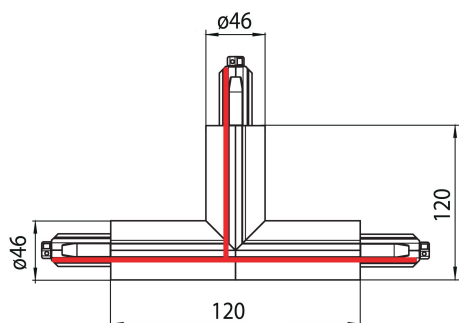
Features

- Lytespan Round Track accessory, T-feed connector in-right, polarity ridge is in the inner side. Polycarbonate body, copper alloy contacts. White. Please check the polarity diagram on selling sheet. This accessory cannot be used to power up the track.

Product Overview

| | |
|---------------------|--|
| Product name | LYTESPAN ROUND T-FEED IN-RIGHT WHT 9016-ST15/W |
| Technology | Accessory |
| Housing | Aluminium, PC Polycarbonate |
| Mount | Track mounting |
| General application | Museums & Galleries, Office, Hospitality |
| ETIM Class | EC002556 |
| Housing colour | White |
| Product EAN number | 5025768703357 |
| Warranty | 5 years |

Technical drawings



Data table

GENERAL DATA

| | |
|----------------------------|--|
| Product name | LYTESPAN ROUND T-FEED IN-RIGHT WHT 9016-ST15/W |
| Technology | Accessory |
| Accessory type | Electrical |
| Type of accessory | Coupler/connector T-shape |
| Housing | Aluminium, PC Polycarbonate |
| Mount | Track mounting |
| General application | Museums & Galleries, Office, Hospitality |
| ETIM Class | EC002556 |

Concord

LYTESPAN ROUND T-FEED IN-RIGHT WHT 9016-ST15/W 2070335

| | |
|----------|---------|
| Warranty | 5 years |
|----------|---------|

ELECTRICAL DATA

| | |
|--|-----|
| Primary Supply/Product voltage - min (V) | 220 |
| Primary Supply/Product voltage - max (V) | 240 |
| Control gear required | No |
| Connectable conductor cross section - Max (mm ²) | 2.5 |

PHYSICAL DATA

| | |
|-----------------------------|-------|
| Housing colour | White |
| Nominal Product Length (mm) | 148 |
| Nominal Product Width (mm) | 89.7 |
| Weight (kg) | 1.2 |

PACKAGING

| | |
|---------------------------------------|----------------|
| Product EAN number | 5025768703357 |
| Packaging single length / height (cm) | 30.0 |
| Packaging single width (cm) | 30.0 |
| Packaging single depth (cm) | 12.0 |
| DUN14 (inner) | 05025768703357 |
| Units per outer package | 1 |
| Packaging outer length / height (cm) | 30.0 |
| Packaging outer width (cm) | 30.0 |
| Packaging outer depth (cm) | 12.0 |

SAFETY DATA

| | |
|-------------------------------------|----|
| Special purpose lamp | No |
| Dry applications use only | No |
| Suitable for household illumination | No |