

33 816 875 Product version from 5/31/2010 to 7/25/2018



- 241mm projection
- pivotable spout 360°
- air-enriched flow
- height of mixer 393 mm
- height up to aerator 240 mm
- hole diameter 35 mm
- max. flow 8 l/min at 3 bar flow pressure
- lead-free
- This product can help a building meet the requirements of Green Building Rating Systems, e.g. LEED®, BREEAM®, DGNB
- WRAS

	Brushed Durabronze (23kt Gold)	33 816 875-28
	Chrome	33 816 875-00
	Brushed Platinum	33 816 875-06
	Platinum	33 816 875-08
	Dark Chrome	33 816 875-19
	Matte Black	33 816 875-33
	Brushed Dark Brass (PVD)	33 816 875-39
	Brushed Bronze (PVD)	33 816 875-42
	Brushed Dark Bronze (PVD)	33 816 875-43
	Brushed Champagne (22kt Gold)	33 816 875-46
	Champagne (22kt Gold)	33 816 875-47
	Brushed Chrome	33 816 875-93
	Brushed Dark Platinum	33 816 875-99

Recommended miscellaneous

Dispenser without rosette - Brushed Durabronze (23kt Gold) 82 424 970-28

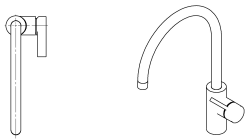
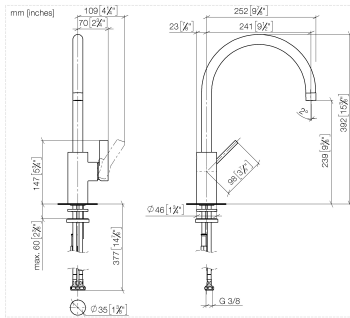


Recommended miscellaneous

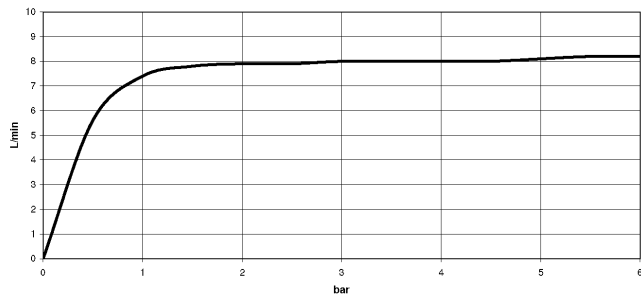
Strainer waste with control handle - Brushed Durabronze (23kt Gold) 10 712 970-28



33 816 875 Product version from 5/31/2010 to 7/25/2018



Flow rate chart



Codes & Standards

DIN 4109	EN 817	Executive Order no. 1007	ISO 3822
Scottish Water Byelaws	UK Water Supply Regulations	Ü-Zeichen	VA-Zeichen



TARA ULTRA Single-lever mixer - Brushed Durabronz (23kt Gold)

TARA ULTRA

33 816 875 Product version from 5/31/2010 to 7/25/2018

Certificates and sustainability

WRAS_2101

GDV_0400

LGA_18

ETA_18

EPD-DOR-20230287
-IBA1-EN
Environmental.prod
uct-declarat

33 816 875 Product version from 5/31/2010 to 7/25/2018

Parts for other finishes can be found here: [Chrome](#)

