

02/89 AWA461-747

## L3-CI43

Devices, hole no. and size of the screws for the devices (M...x...); screwhead shape DIN 7985; spring washer DIN 137A

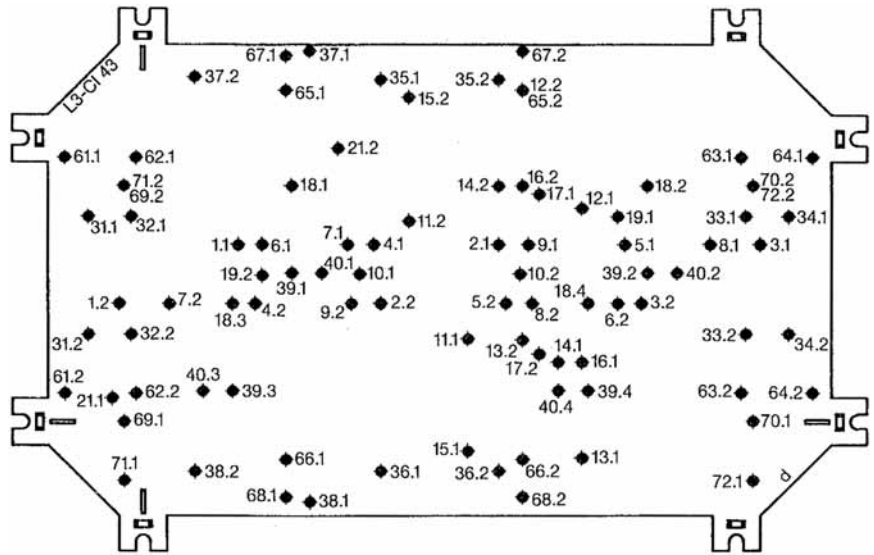
Gerät, Loch-Nr. und Schraubengröße des Gerätes (M...x...); Kopfform DIN 7985; Federscheibe DIN 137A

Appareils, no. des trous en taille des vis pour les appareils (M...x...); forme de tête DIN 7985; rondelle élastique DIN 137A

Typ	Typ					
	GS00(0, 1, 2, 3)	GSTZ00	GSTZ1	GSTZ2(3)	K95(150, 240, 2 x 240)/1	K50/1
GS00/I43E	2					33
GS00-160/I43E					63	
2GS00/I43E	4, 5					32, 33
GS00/I43E-G						36
GS00-160/I43E-G	11				66	
2GS00/I43E-G	12, 13					37, 38
GS00/I43/L	1					
GS00/I43/M	2					
GS00/I43/R	3					
GS00-160/I43/L	1					
GS00-160/I43/M	2					
GS00-160/I43/R	3					
2GS00/I43/L/R	1, 3					
2GS00/I43/L/M	1, 2					
2GS00/I43/M/R	2, 3					
2GS00-160/I43/L/R	1, 3					
2GS00-160/I43/L/M	1, 2					
2GS00-160/I43/M/R	2, 3					
3GS00/I43	1, 2, 3					
3GS00-160/I43						
GS00/I43-G/L	12					
GS00/I43-G/R	13					
GS00-160/I43-G/L	12					
GS00-160/I43-G/R	13					
2GS00/I43-G	12,					
2GS00-160/I43-G	13					
GS0/I43/L	7					
GS0/I43/R	8					
2GS0/I43	7, 8					
GS0/I43-G	14					
GS1/I43	6					
GS1/I43-G	15					
GS2/I44	18					
GS2/I48	39					
GS3/I48	40					
GSTZ00/I43E						33
GSTZ00-160/I43E		10			63	
GSTZ00/I43E-G						36
GSTZ00-160/I43E-G		17			68	
GSTZ1/I44			18			
GSTZ2/I44				18		
GSTZ1/I48			39			
GSTZ2/I48				39		
GSTZ3/I48				40		

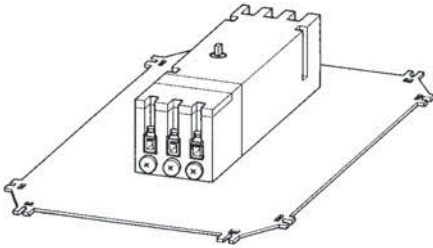
Typ	Typ				
	GSTA00(0, 1, 2, 3)	GS00	K95(150, 240, 2 x 240)/1	K50/1	N6-100
GSTA00/I43E	2			33	
GSTA00-160/I43E			63		
2GSTA00/I43E	4, 5			32, 33	
GSTA00/I43E-G				36	
GS00/I43E-G	11				
GSTA00-160/I43E-G			66		
GSTA00/I44E	2			33	
GSTA00-160/I44E			63		
2GSTA00/I44E	4, 5			32, 33	
2GSTA00-160/I44E			62, 63		
GSTA00/I43/L	4				
GSTA00/I43/R	5				
GSTA00-160/I43/L	4				
GSTA00-160/I43/R	5				
2GSTA00/I43	4, 5				
2GSTA00-160/I43					
GSTA00/I43-G	11				
GSTA00-160/I43-G					
GSTA00/I44/L	1				
GSTA00/I44/M	2				
GSTA00/I44/R	3				
GSTA00-160/I44/L	1				
GSTA00-160/I44/M	2				
GSTA00-160/I44/R	3				
2GSTA00/I44/L/R	1, 3				
2GSTA00/I44/L/M	1, 2				
2GSTA00/I44/M/R	2, 3				
2GSTA00-160/I44/L/R	1, 3				
2GSTA00-160/I44/L/M	1, 2				
2GSTA00-160/I44/M/R	2, 3				
3GSTA00/I44	1, 2, 3				
3GSTA00-160/I44					
GSTA0/I43-G	16				
GSTA0/I44	9				
GSTA1/I44	19				
GSTA2/I44	18				
GSTA2/I48	39				
GSTA3/I48	40				
NGS100/I43E		5		34	21

Kernlochdurchmesser für metrisches Gewinde DIN 13

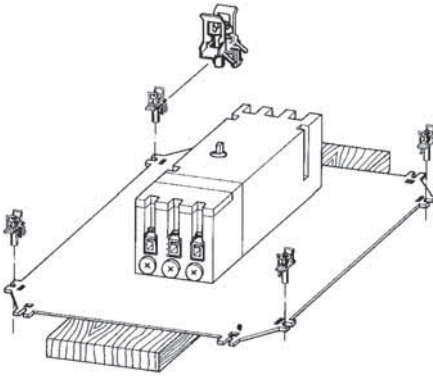


M3-CI...

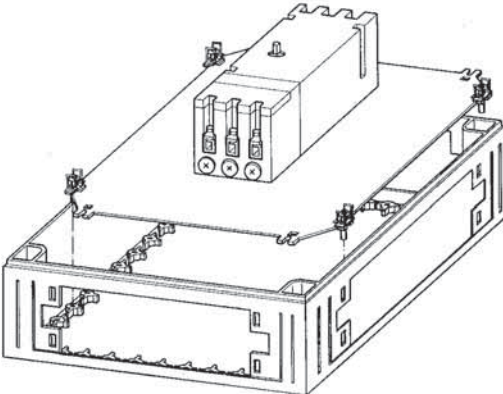
1



2



3



02/89 AWA461-747