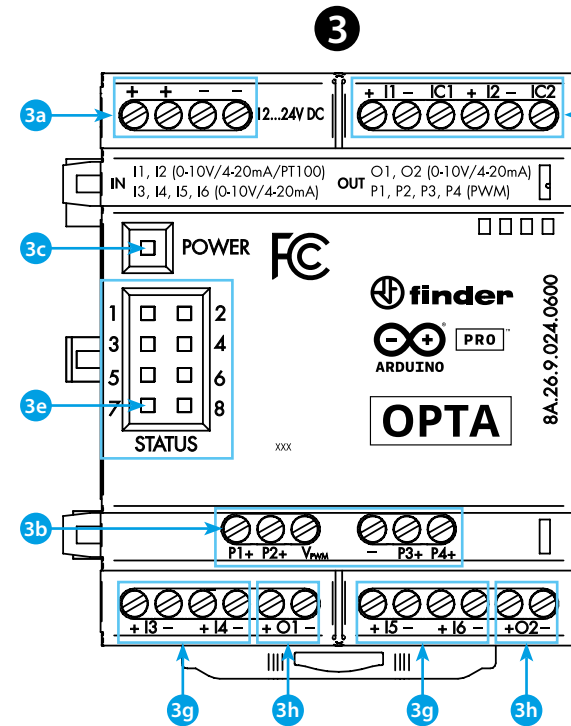
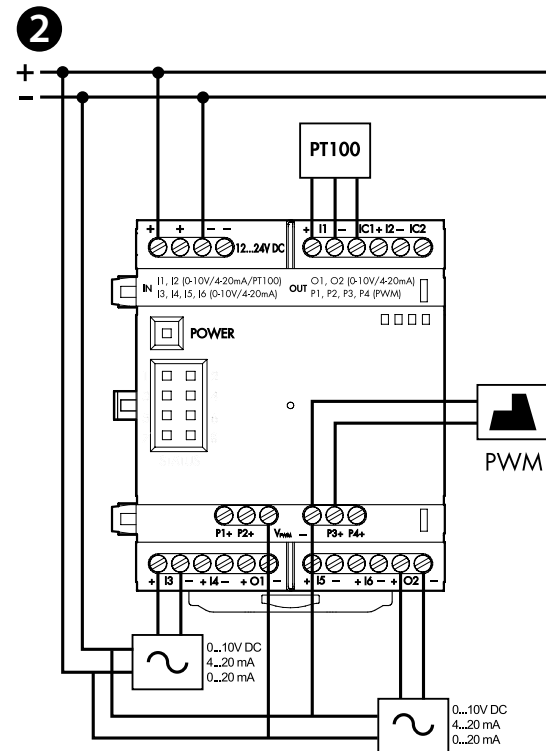
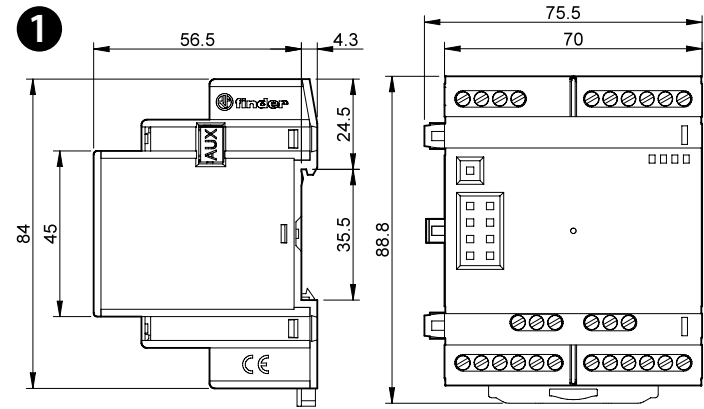
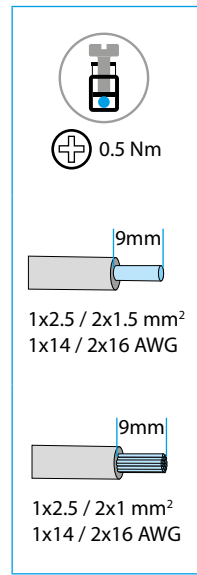


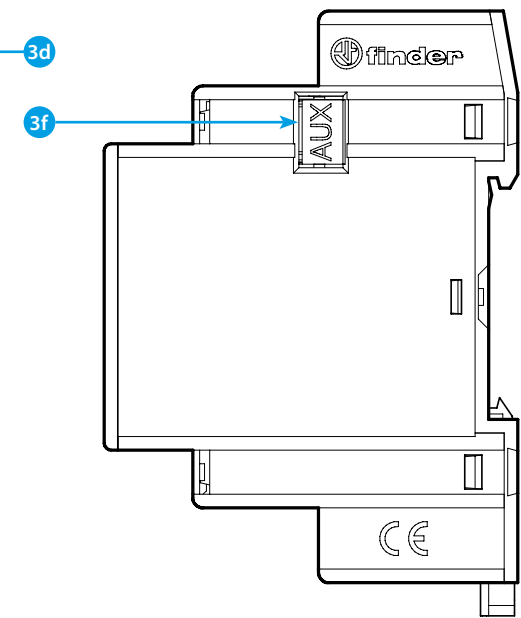


8A.26

	<b>8A.26.9.024.0600</b> $U_N$ (12...24) V DC +-15% Class 2 source $I < 200$ mA
<b>OUTPUT</b>	2 0...10 V, 4...20mA 4 PWM
<b>INPUT</b>	2 0...10V, 4...20mA, PT100 (3 wires) 4 0...10V, 4...20mA, PT100 (2 wires)
	Auxiliary port, MAX 5 expansion modules
	(-20...+50)°C
Open type, EN 60715 rail mounting Environmental Conditions: Extended Humidity 5-95 RH% Altitude 2000 m IP20	



**NOTE**  
 This equipment has been tested and found to comply with the limits for a Class A digital device, pursuant to part 15 of the FCC Rules. These limits are designed to provide reasonable protection against harmful interference when the equipment is operated in a commercial environment. This equipment generates, uses, and can radiate radio frequency energy and, if not installed and used in accordance with the instruction manual, may cause harmful interference to radio communications. Operation of this equipment in a residential area is likely to cause harmful interference in which case the user will be required to correct the interference at his own expense.



# ENGLISH

8A.26.9.024.0600

- 1 DIMENSIONS**
- 2 WIRING DIAGRAM**
- 3 FRONT VIEW**
  - 3a Power supply terminals 12...24 V DC
  - 3b P1...P4 PWM output terminals V<sub>pw</sub>, power supply terminal PWM - GND
  - 3c Power LED
  - 3d I1...I2 input terminals 0...10 V, 4...20 mA, PT 100 (3 wires)
  - 3e Status LED configurable
  - 3f Port for communication and connection of auxiliary modules
  - 3g I3 - I6 input terminals 0...10 V, 4...20 mA, PT100 (2 wires)
  - 3h O1...O2 output terminals 0...10 V, 4...20 mA

**IMPORTANT**  
 The expansion modules must be powered according to 3a and can operate exclusively in conjunction with an Opta controller which can connect up to 5 expansion modules in daisy chain. The autonomous operation of the expansions is not envisaged.

**GETTING STARTED GUIDE:** <https://docs.arduino.cc/hardware/opta/>  
 If you want to program your OPTA while offline you need to install the Arduino Desktop IDE, Arduino Cloud or Arduino PLC-IDE. To connect the OPTA to your computer, you'll need a USB cable. <https://www.arduino.cc/en/Main/Software>  
**GETTING STARTED - ARDUINO CLOUD**  
 All Arduino IoT enabled products are supported on Arduino Cloud which allows you to Log, graph and analyze sensor data, trigger events, and automate your home or business. The Arduino Cloud is hosted online, therefore it will always be up-to-date with the latest features and support for all boards. Follow to start coding on the browser and upload your sketches onto your board. <https://cloud.arduino.cc>

**NOTE**  
 If the equipment is used in a manner not specified by the manufacturer, the protection provided by the equipment may be impaired.

