

**Data Sheet | Item Number: 231-867/001-000/105-604/997-409**

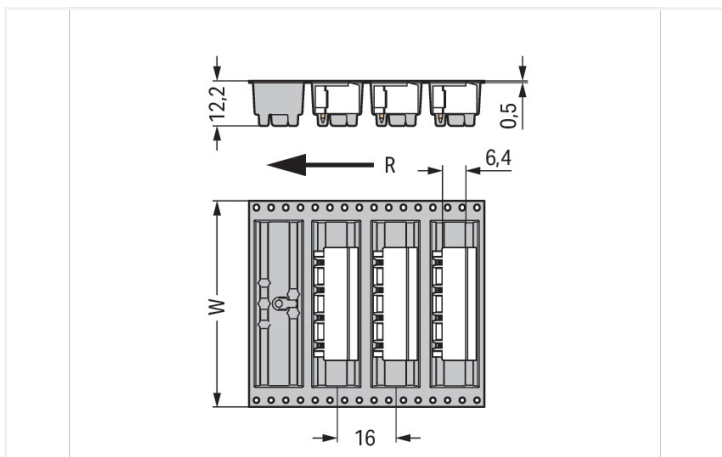
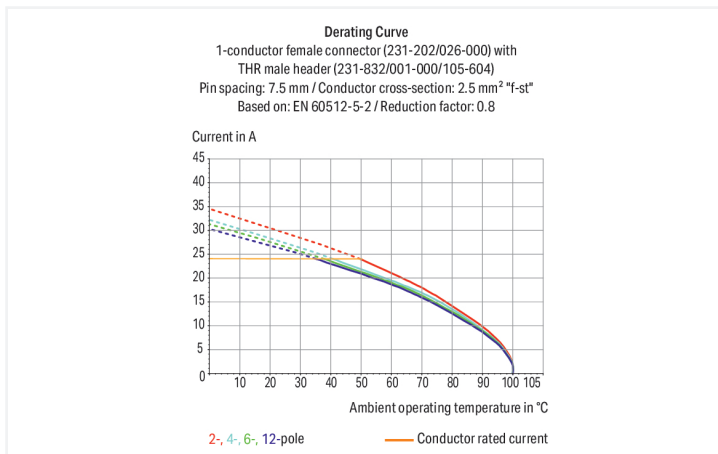
THR male header; 1.2 x 1.2 mm solder pin; angled; in tape-and-reel packaging; Pin spacing 7.5 mm; 7-pole; black

<https://www.wago.com/231-867/001-000/105-604/997-409>

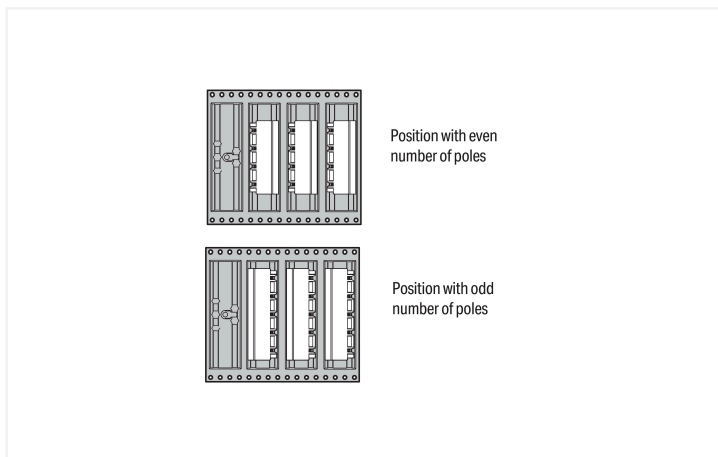


Color: ■ black

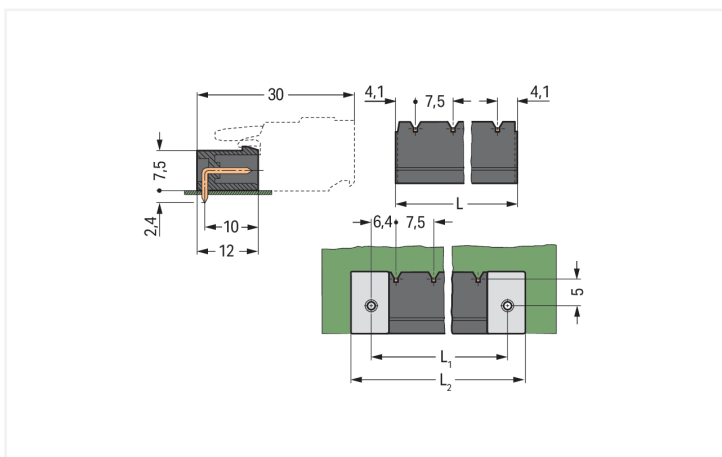
Similar to illustration



Dimensions in mm  
 W = tape width R = feed direction



Dimensions in mm  
 Pin position in tape-and-reel packaging



Dimensions in mm  
 $L = (\text{pole no.} - 1) \times \text{pin spacing} + 8.2 \text{ mm}$   
 $L_1 = L + 5 \text{ mm}$   
 $L_2 = L_1 + 7.4 \text{ mm}$



Male connector, 231 Series, solder pin dimensions 1.2 x 1.2 mm

This male connector (item number 231-867/001-000/105-604/997-409) is designed for hassle-free electrical installations. Dimensions: (53.2 x 10.8 x 12) mm (width x height x depth).

The contact surface is coated with tin. THR is used to solder the pcb connector.

Notes	
Safety Information	The MCS – MULTI CONNECTION SYSTEM includes connectors without breaking capacity in accordance with DIN EN 61984. When used as intended, these connectors must not be connected/disconnected when live or under load. When used as intended, these connectors must not be connected/disconnected when live or under load. The circuit design should ensure header pins, which can be touched, are not live when unmated.
Variants:	Other pole numbers Gold-plated or partially gold-plated contact surfaces Other versions (or variants) can be requested from WAGO Sales or configured at <a href="https://configurator.wago.com/">https://configurator.wago.com/</a> .

Electrical data								
Ratings per		IEC/EN 60664-1			Approvals per		UL 1059	
Overvoltage category		III	III	II	Use group	B	C	D
Pollution degree		3	2	2	Rated voltage	300 V	-	300 V
Nominal voltage		500 V	630 V	1000 V	Rated current	10 A	-	10 A
Rated impulse withstand voltage		6 kV	6 kV	6 kV				
Rated current		16 A	16 A	16 A				
Approvals per		UL 1977			Approvals per		CSA	
Rated voltage		600 V			Use group	B	C	D
Rated current		15 A			Rated voltage	300 V	-	300 V
					Rated current	10 A	-	10 A

Connection Data			Connection 1	
Total number of potentials	7		Pole number	7
Number of connection types	1			
Number of levels	1			

Physical data	
Pin spacing	7.5 mm / 0.295 inches
Width	53.2 mm / 2.094 inches
Height	10.8 mm / 0.425 inches
Height from the surface	8.4 mm / 0.331 inches
Depth	12 mm / 0.472 inches
Solder pin length	2.4 mm
Solder pin dimensions	1.2 x 1.2 mm
Plated through-hole diameter (THR)	1.7 (+0.1) mm
Reel diameter of tape-and-reel packaging	330 mm
Tape width	88 mm

### Mechanical data

Variable coding	Yes
Anti-rotation protection	Yes

### Plug-in connection

Contact type (pluggable connector)	Male connector/plug
Connector (connection type)	for PCB
Mismating protection	No
Mating direction to the PCB	0°

### PCB contact

PCB contact	THR
Solder pin arrangement	over the entire male connector (in-line)
Number of solder pins per potential	1

### Material data

Note (material data)	<a href="#">Information on material specifications can be found here</a>
Color	black
Material group	I
Insulation material (main housing)	Polyphthalamide (PPA GF)
Flammability class per UL94	V0
Contact material	Electrolytic copper (E <sub>Cu</sub> )
Contact Plating	Tin
Fire load	0 MJ
Weight	3.6 g
MSL per J-STD 020D	1

### Environmental requirements

Limit temperature range	-60 ... +100 °C
Processing temperature	-35 ... +60 °C

### Commercial data

PU (SPU)	330 pcs
Packaging type	Bag
Country of origin	DE
GTIN	4050821043270
Customs tariff number	85366930000

### Product Classification

UNSPSC	39121409
eCl@ss 10.0	27-44-04-02
eCl@ss 9.0	27-44-04-02
ETIM 9.0	EC002637
ETIM 10.0	EC002637
ECCN	NO US CLASSIFICATION

**Environmental Product Compliance**

RoHS Compliance Status Compliant, No Exemption

**Approvals / Certificates**

**General approvals**



Approval	Standard	Certificate Name
CSA DEKRA Certification B.V.	C22.2	1466354
UR Underwriters Laboratories Inc.	UL 1059	E45172

**Downloads**

**Environmental Product Compliance**

Compliance Search ↓

**Documentation**

**Additional Information**

Technical Section	03.04.2019	pdf 2027.26 KB	↓
		pdf 535.32 KB	↓

**CAD/CAE-Data**

CAD data ↓

PCB Design ↓

↓

## 1 Compatible Products

### 1.1 System counterpart

#### 1.1.1 Female connector/socket



**Item No.:** [231-207/026-000](#)

1-conductor female connector; CAGE CLAMP®; 2.5 mm<sup>2</sup>; Pin spacing 7.5 mm; 7-pole; gray

### 1.2 Optional Accessories

#### 1.2.1 Coding

##### 1.2.1.1 Intermediate plate

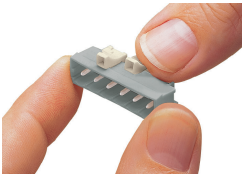


**Item No.:** [231-500](#)

Spacer; for formation of groups; light gray

## Installation Notes

### Coding



Coding a male header – fitting coding key(s).