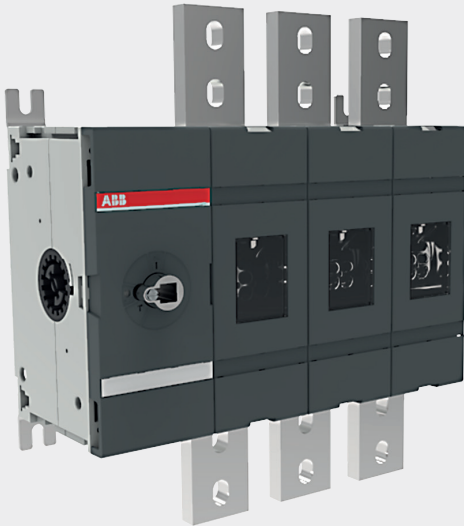


—  
INSTALLATION INSTRUCTION

# Switch Disconnectors

OT1000-1600E\_, OT800-1200U\_,  
OT2000EC\_

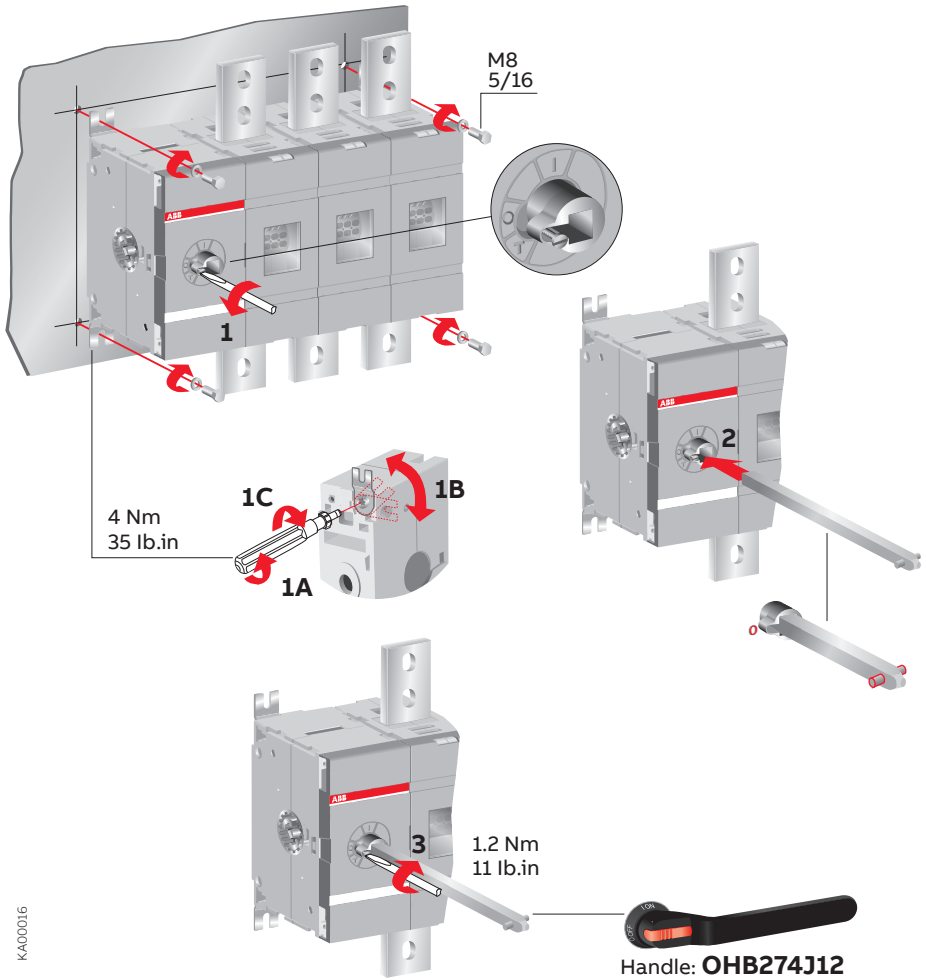


---

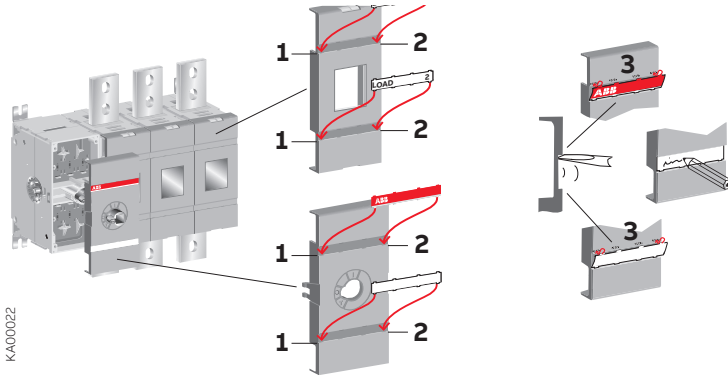
# Table of contents

|    |   |
|----|---|
| 03 | Installation  |
| 04 | Labels<br>Terminal clamps, OZX_                       |
| 05 | Terminal shrouds OTS_                                 |
| 06 | Phase separators OTB_                                 |
| 07 | Clearances per UL98                                   |
| 08 | Auxiliary contacts OA_                                |
| 09 | Auxiliary contacts OA_                                |
| 10 | Module for aux contacts OEA28                         |
| 11 | Fourth pole OTZ_<br><br>Neutral link OT_N3 & OXN1250T |
| 12 | Direct mount handle OTV_                              |
| 13 | Interlocking OTZT4                                    |
| 14 | Dimension drawings                                    |
| 15 | Warning table   |

# Installation

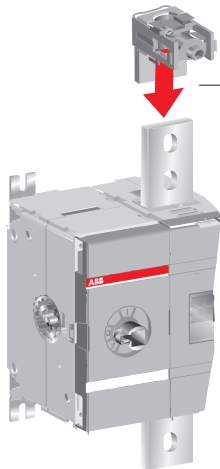


## Labels



## Terminal clamps

OZX\_



### OT1000-2000

OZXB3  
OZXB4  
OZXB5  
OZXB6  
OZXB7L

### OT800U\_

OZXA800  
OZXA806  
OZXA806  
OZXA806

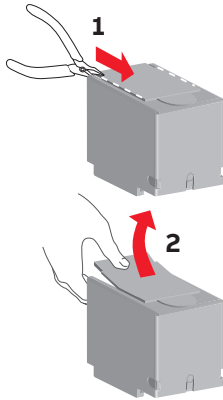
### OT1200U\_

OZXA1200  
OZXA1206

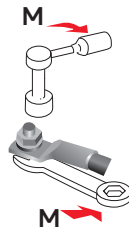
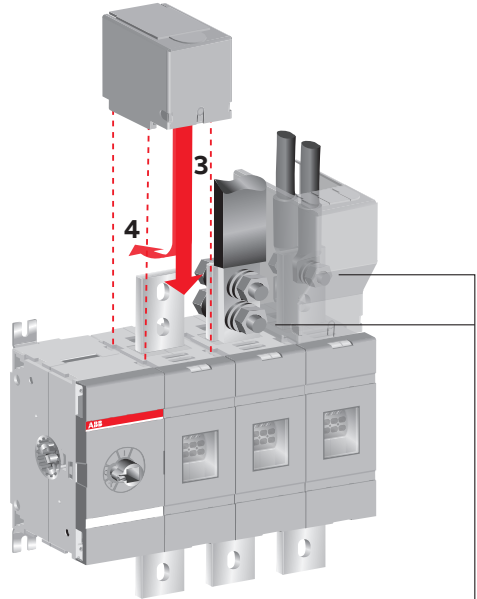
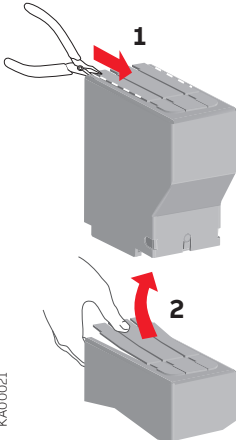
# Terminal shrouds

OTS\_

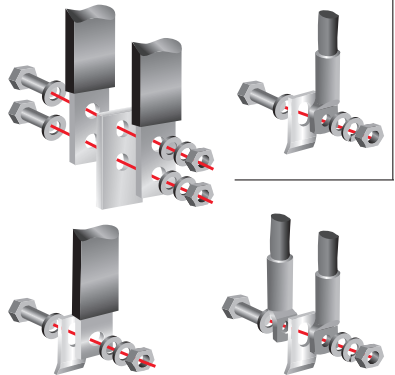
OTS1600<sup>G</sup><sub>T</sub> 1S



OTS1600<sup>G</sup><sub>T</sub> 1L



M12  
50...75 Nm  
443-664 lb.in

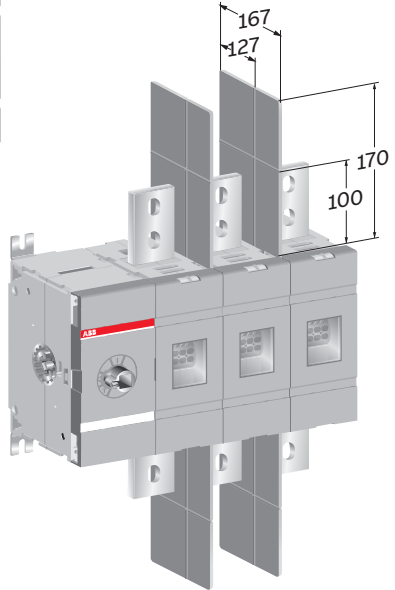
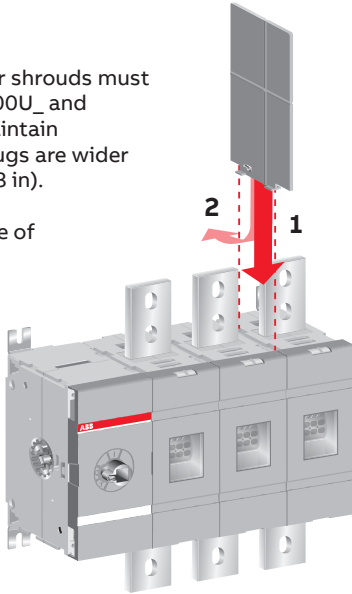


# Phase separators

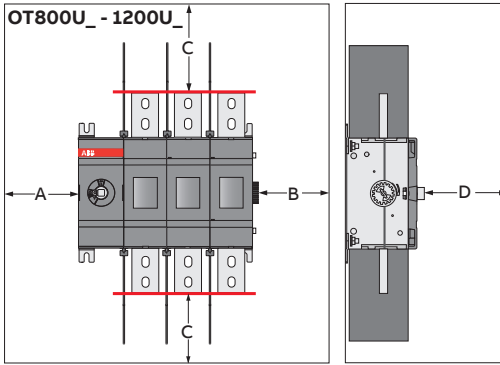
## OTB\_

Barriers 68912 or shrouds must be used on OT800U\_ and OT1200U\_ to maintain 1" clearance, if lugs are wider than 54 mm (2.13 in).

Type for package of 6 barriers is OTB1600/6.



## Clearances per UL98



| A | B              | D              |
|---|----------------|----------------|
| 0 | 13 mm / 0.5 in | 36 mm / 1.4 in |

| AWG | C              | MCM | C               |
|-----|----------------|-----|-----------------|
| 2   | 100 mm<br>4 in | 250 | 200 mm<br>8 in  |
| 1   | 100 mm<br>4 in | 300 | 250 mm<br>10 in |
| 1/0 | 125 mm<br>5 in | 350 | 300 mm<br>12 in |
| 2/0 | 150 mm<br>6 in | 400 | 330 mm<br>13 in |
| 3/0 | 175 mm<br>7 in | 500 | 356 mm<br>14 in |
|     |                | 600 | 381 mm<br>15 in |

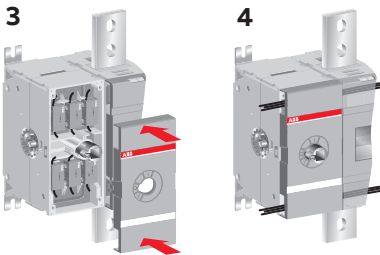
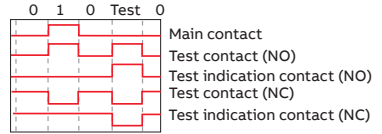
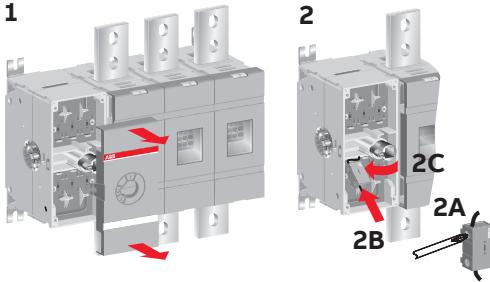
### Minimum enclosure size or equivalent volume

|        | Height   | Width    | Depth    |
|--------|----------|----------|----------|
| 800 A  | 1220/48  | 610/24   | 305/12   |
| 1200 A | 700/27.5 | 900/35.4 | 400/15.7 |

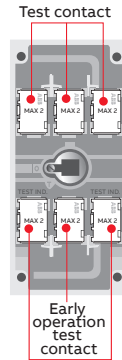
mm/in

# Auxiliary contacts

OA\_

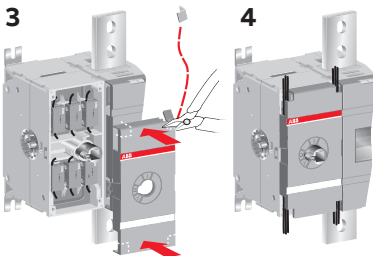


**NO: OA1G10**  
**NC: OA3G01**

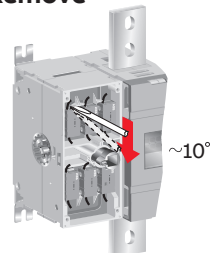


Test indication contact

or



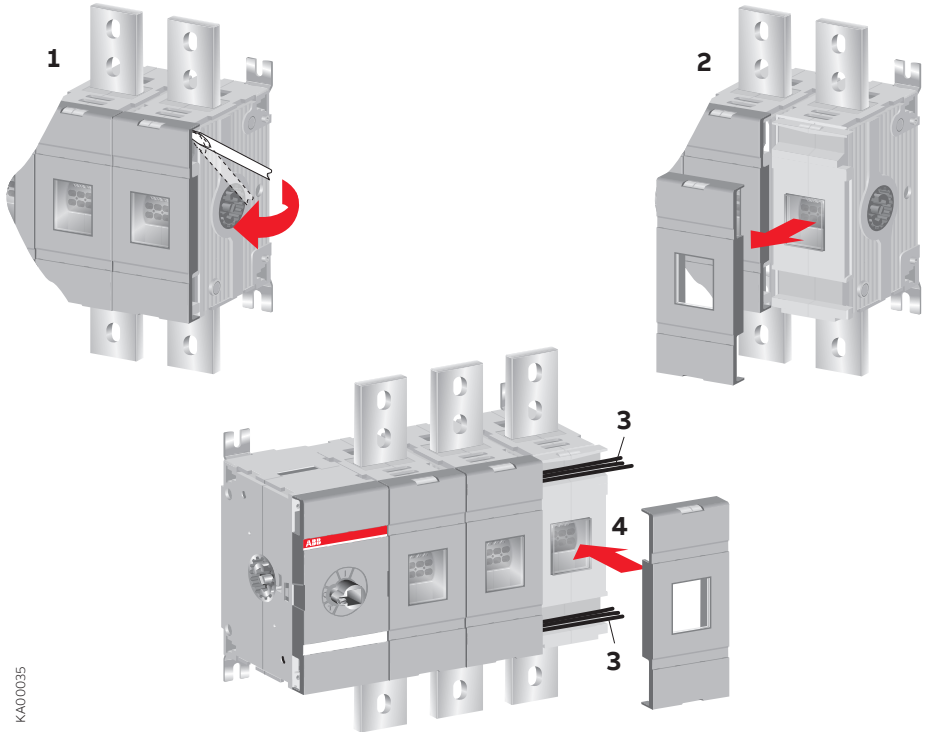
**Remove**



---

# Auxiliary contacts

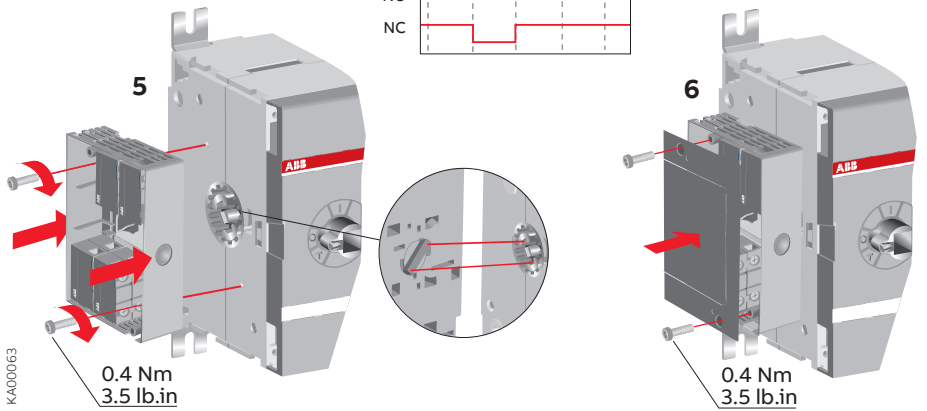
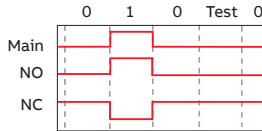
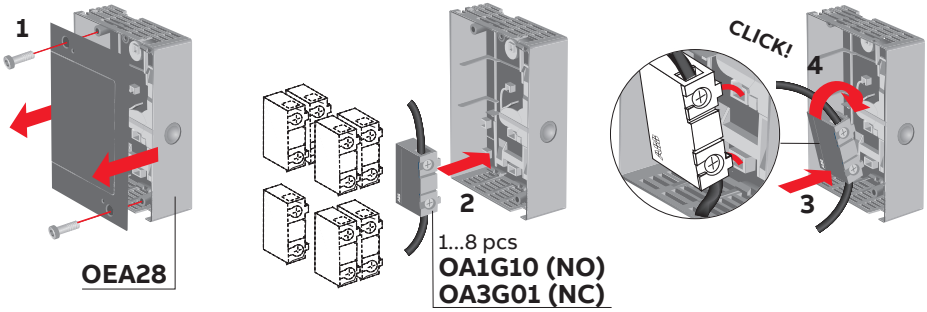
OA\_



K400035

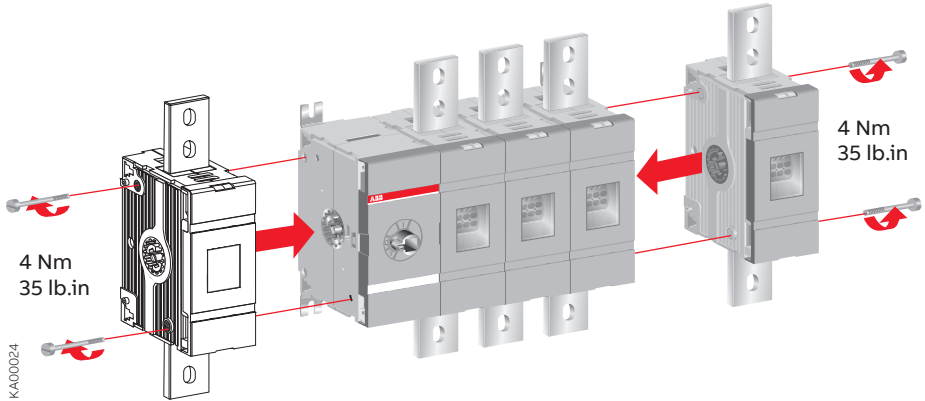
# Module for aux contacts

## OEA28



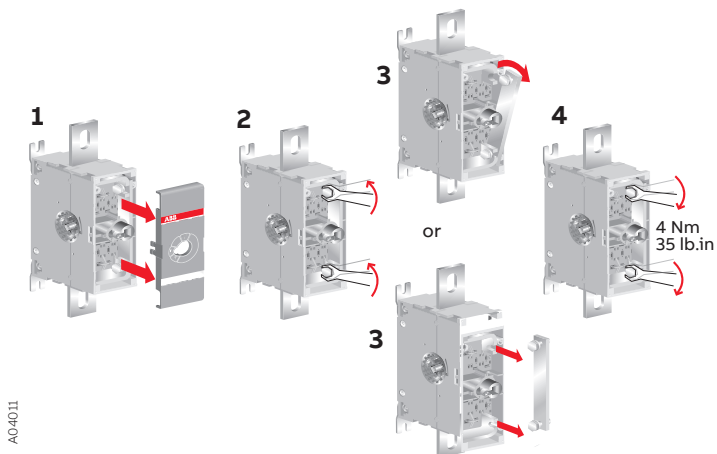
## Fourth pole

OTZ\_



## Neutral link

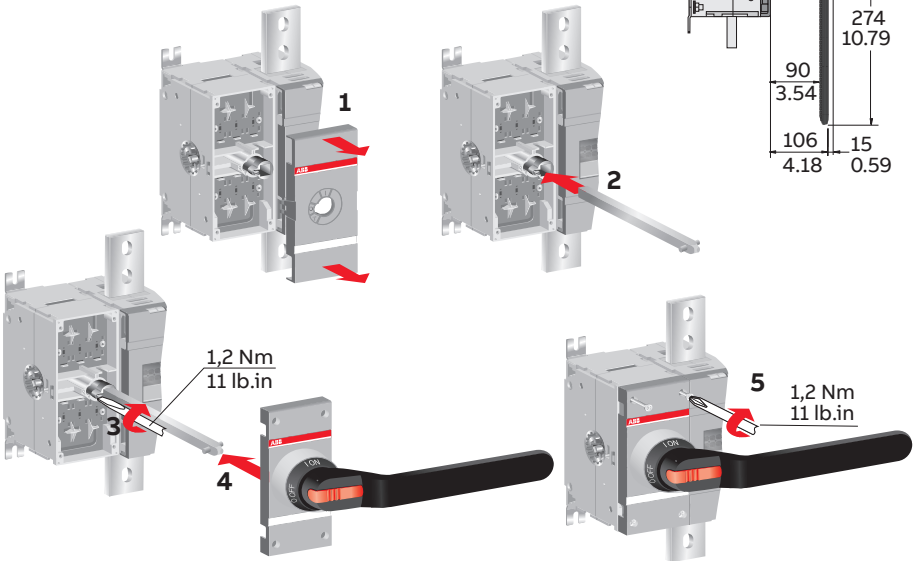
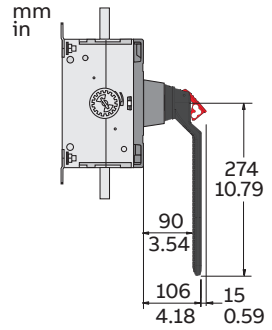
OT\_N3 & OXN1250T



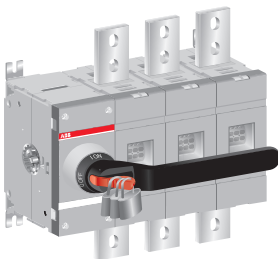
# Direct mount handle

OTV\_

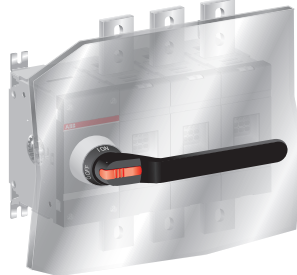
OTV1000EK



Ø5...10 mm

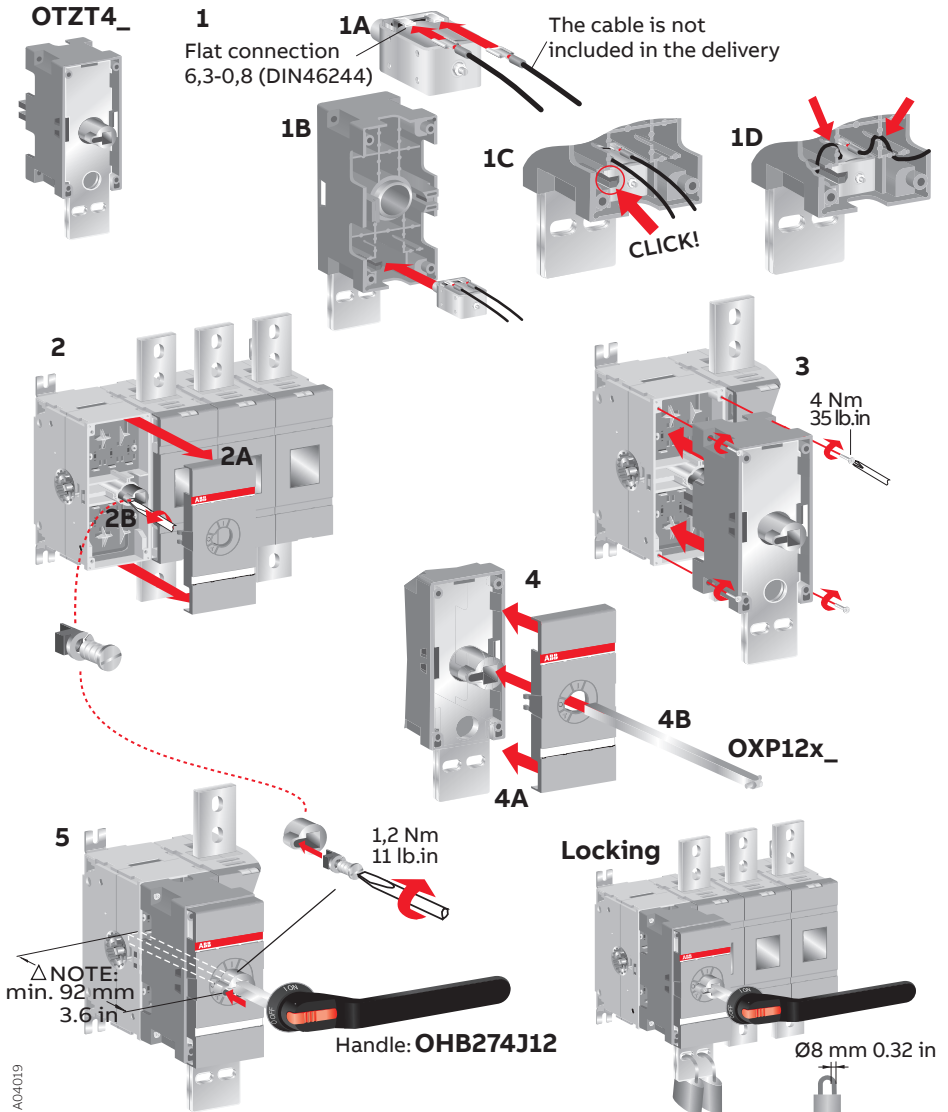


Note: Use protection against direct contact. For example:

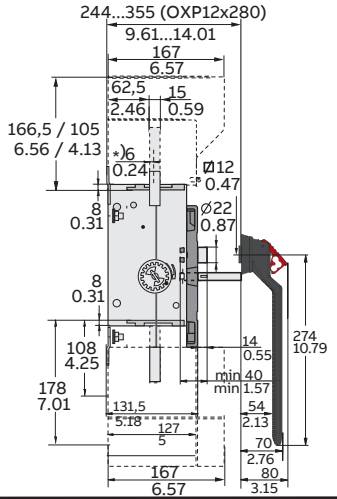
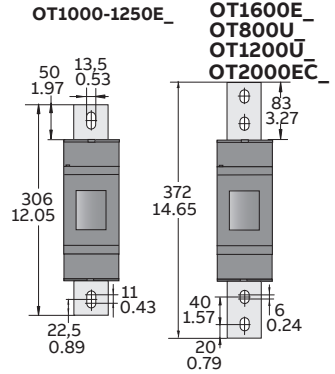
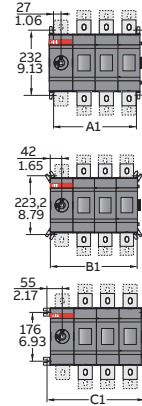
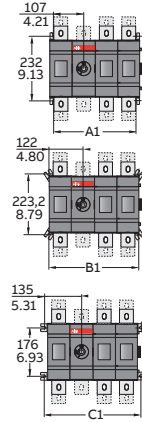
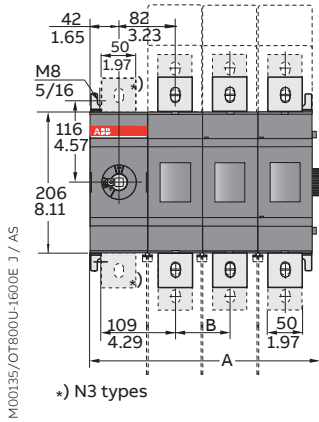
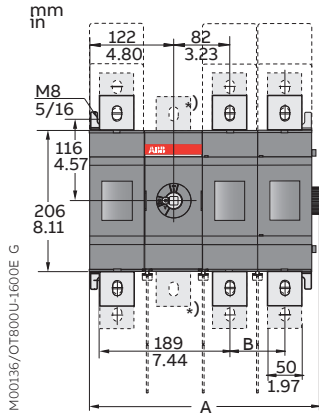


# Interlocking

## OTZT4



# Dimension drawings



|    |    | OT 1000 / 1250 / 1600E_ , OT 800 / 1200U_ / OT2000EC_ |        |        |        |        |        |        |        |        |        |        |        |
|----|----|---|--------|--------|--------|--------|--------|--------|--------|--------|--------|--------|--------|
|    |    | 01  | 02     | 03     | 04     | 11     | 12     | 13     | 22     | 03W4   | 04W4   | 03W8   | 04W8   |
| A  | mm | 174,50  | 254,50 | 334,50 | 414,50 | 254,50 | 334,50 | 414,50 | 414,50 | 454,50 | 594,50 | 544,50 | 729,50 |
|    | in | 6.87  | 10.02  | 13.17  | 16.32  | 10.02  | 13.17  | 16.32  | 16.32  | 17.89  | 23.41  | 21.44  | 28.72  |
| B  | mm |   | 80     | 80     | 80     |        | 80     | 80     | 80     | 140    | 140    | 185    | 185    |
|    | in |   | 3.15   | 3.15   | 3.15   |        | 3.15   | 3.15   | 3.15   | 5.51   | 5.51   | 7.28   | 7.28   |
| A1 | mm | 134   | 214    | 294    | 374    | 214    | 294    | 374    | 374    | 414    | 554    | 504    | 689    |
|    | in | 5.28  | 8.43   | 11.57  | 14.72  | 8.43   | 11.57  | 14.72  | 14.72  | 16.30  | 21.81  | 19.84  | 27.13  |
| B1 | mm | 164   | 244    | 324    | 404    | 244    | 324    | 404    | 404    | 444    | 584    | 534    | 719    |
|    | in | 6.46  | 9.61   | 12.76  | 15.91  | 9.61   | 12.76  | 15.91  | 15.91  | 17.48  | 22.99  | 21.02  | 28.31  |
| C1 | mm | 190   | 270    | 350    | 430    | 270    | 350    | 430    | 430    | 470    | 610    | 560    | 745    |
|    | in | 7.48  | 10.63  | 13.78  | 16.93  | 10.63  | 13.78  | 16.93  | 16.93  | 18.50  | 24.02  | 22.05  | 29.33  |



|           |  |
|-----------|--|
| <b>BG</b> | Внимание! Опасно напрежение! Да се монтира само от лице с електротехническа квалификация.                                      |
| <b>CN</b> | 警告！电压危险！只能由专业电工进行安装。   |
| <b>CZ</b> | Varování! Nebezpečné napětí! Montáž smí provádět výhradně elektrotechnik!  |
| <b>DA</b> | Advarsel! Farlig elektrisk spænding! Installation må kun foretages af personer med elektroteknisk ekspertise.                  |
| <b>DE</b> | Warnung! Gefährliche Spannung! Installation nur durch elektrotechnische Fachkraft.   |
| <b>EL</b> | Προειδοποίηση! Υψηλή τάση! Η εγκατάσταση πρέπει να γίνεται μόνο από εξειδικευμένου ηλεκτροτεχνικού.                            |
| <b>EN</b> | Warning! Hazardous voltage! Installation by person with electrotechnical expertise only.                                       |
| <b>ES</b> | ¡Advertencia! ¡Tensión peligrosa! La instalación deberá ser realizada únicamente por electricistas especializados.             |
| <b>ET</b> | Hoiatus! Ohtlik pinge. Paigaldada võib ainult elektrotehnika-alane ekspert.  |
| <b>FI</b> | Varoitus! Vaarallinen jännite! Asennuksen voi tehdä vain sähköalan ammattihenkilö.   |
| <b>FR</b> | Avertissement! Tension électrique dangereuse! Installation uniquement par des personnes qualifiées en électrotechnique.        |
| <b>HR</b> | Upozorenje! Opanan napon! Postavljati smije samo elektrotehnički stručnjak.  |
| <b>HU</b> | Figyelmeztetés! Veszélyes feszültség! Csak elektrotechnikai tapasztalattal rendelkező szakember helyezheti üzembe.             |
| <b>IE</b> | Rabhadh! Voltas guaiseach! Ba chóir do dhuine ag a bhfuil saineolas leictreicniúil, agus an té sin ainmáin, é seo a shuiteáil. |
| <b>IT</b> | Avvertenza! Tensione pericolosa! Fare installare solo da un elettricista qualificato.  |
| <b>LT</b> | Dėmesio! Pavojinga įtampa! Dirbti leidžiama tik elektrotechniko patirties turintiems asmenims.                                 |
| <b>LV</b> | Uzmanību! Bīstami - elektrība! Montāžas darbus drīkst veikt tikai personas, kurām ir atbilstošas elektrotehniskās zināšanas.   |
| <b>MT</b> | Twissija! Vultaġġ perikoluż! Ghandu jiġi installat biss minn persuna b'kompetenza elettroteknika.                              |
| <b>NL</b> | Waarschuwing! Gevaarlijke spanning! Mag alleen geïnstalleerd worden door een deskundige elektrotechnicus.                      |
| <b>NO</b> | Advarsel! Farlig spenning! Montering skal kun utføres av kvalifiserte personer med elektrokompetanse.                          |
| <b>PL</b> | Ostrzeżenie! Niebezpieczne napięcie! Instalacji może dokonać wyłącznie osoba z fachową wiedzą w dziedzinie elektrotechniki.    |
| <b>PT</b> | Aviso! Tensão perigosa! A instalação só deve ser realizada por um electricista especializado.                                  |
| <b>RO</b> | Avertizare! Tensiune periculoasă! Instalarea trebuie efectuată numai de către o persoană cu experiență în electrotehnică.      |
| <b>RU</b> | Осторожно! Опасное напряжение! Монтаж должен выполняться только специалистом-электриком.                                       |
| <b>SE</b> | Varning! Farlig spänning! Installation får endast utföras av en elektriker.  |
| <b>SK</b> | Varovanie! Nebezpečné napätie! Montáž môže vykonávať iba skúsený elektrotechnik.   |
| <b>SL</b> | Opozorilo! Nevarna napetost! Vgradnjo lahko opravi le oseba z elektrotehničnim strokovnim znanjem.                             |



---

## Contact us

### **ABB Oy**

Muottitie 2A, 65320

Vaasa, Finland

**[abb.com/lowvoltage](http://abb.com/lowvoltage)**