

# Audio module for modular external unit

10-360

4 year warranty

The audio module makes it possible to activate a door call, have a conversation and open the door. The module is made of black anodised aluminium.

The audio module is usually used in combination with the display module (10-362).

## Technical data

Audio module for modular external unit

- dimensions: 105 x 105 x 27 mm (HxWxD)
  - finishing colour: black anodised aluminium
  - ambient temperature: -25°C to +55°C
  - protection degree: IP44
  - vandal proof: yes
  - input current in standby:  $I(a) = 0.2 \text{ mA}$ ,  $I(P) = 4 \text{ mA}$
  - max input current:  $I(P_{max}) = 13.5 \text{ mA}$
  - wire technique: 3-wired
  - marking: CE
- 
- hands-free conversation (standard)
  - full duplex conversation possible for internal units with receiver
  - visual feedback for visitor (colour pictographs)
  - error detection and indication
  - integrated twilight switch
  - extra clamps: yes (e.g. for connecting door opener)
  - removable EEPROM memory
  - configurable with Niko Configuration SW for access control
  - Marking: CE

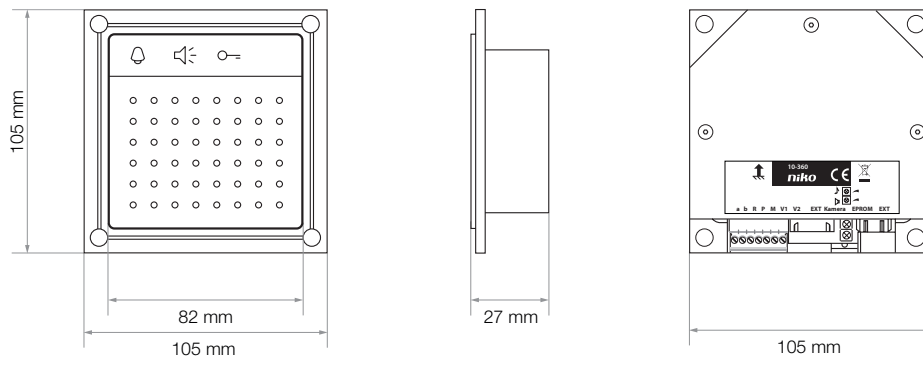


CE

**niko**

10-360 - 14-12-2022

## Dimensions



## Wiring diagram

