



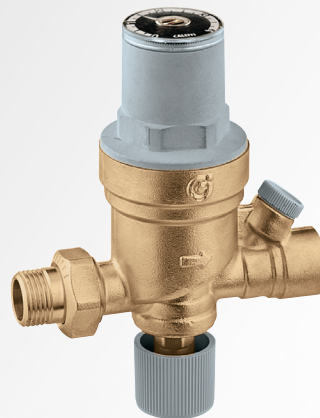
# PRE-ADJUSTABLE AUTOMATIC FILLING UNIT

**CALEFFI**  
Hydronic Solutions



Heating

The central heating system - the heart of the entire system



## FUNCTION AND FEATURES

- Maintains the system pressure stable at a set value, automatically topping up with water as required.
- The unit is fitted with a manual shut-off cock in the lower part that allows the system supply to be closed, maintaining the selected setting value.
- To be installed on the water inlet pipe in closed circuit heating systems.
- Complete with inlet strainer, shut-off cock and check valve.
- During the filling or topping-up phase, the water supply will stop when the setting pressure is reached.
- Available in a version with or without pressure gauge.

## PRODUCT RANGE



CODE	CONNECTION	
553040	1/2"	with 1/4" F pressure gauge connection
553140	1/2"	with pressure gauge

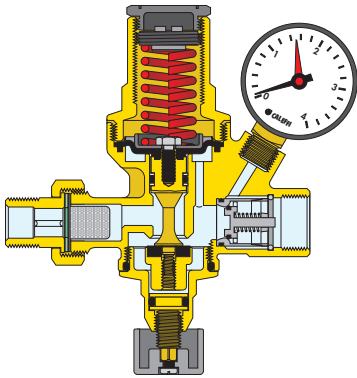


CODE	CONNECTION	
553540	1/2"	with 1/4" F pressure gauge connection
553640	1/2"	with pressure gauge

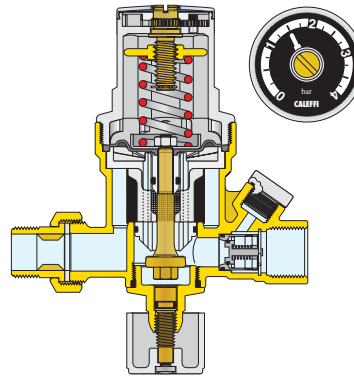
## PERFORMANCE

SETTING PRESSURE RANGE	0,3-4 bar
INLET Pmax	16 bar
WORKING Tmax	70°C

SETTING PRESSURE RANGE	0,2-4 bar
INLET Pmax	16 bar
WORKING Tmax	65°C

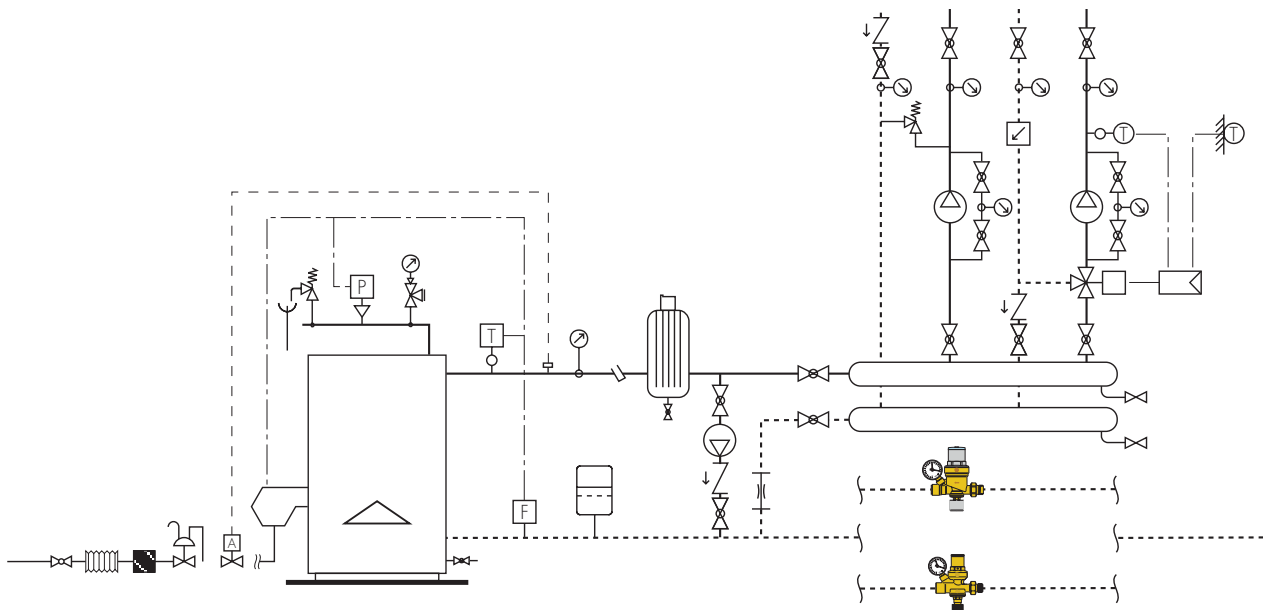


Regulation is performed by means of the regulator inside the top cover; turning the regulator clockwise or anti-clockwise respectively increases or decreases the pressure at which the unit operates.



This model is equipped with a pressure regulation indicator that facilitates setting operations. The cartridge containing the operation mechanisms, protected by a strainer having a large surface area, is removable. This feature makes it possible to perform inspections, internal cleaning operations and, if necessary, cartridge replacement in an extremely simple and functional manner.

## APPLICATION DIAGRAM



REFERENCE DOCUMENTATION: TECH. BROCHURE 01025  
TECH. BROCHURE 01061



**CALEFFI**  
Hydronic Solutions

0359115EN