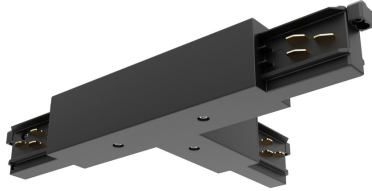


## ONETRACK T-FEED CONNECTOR OUT-LEFT BLACK 9013/B 9200732



### Features

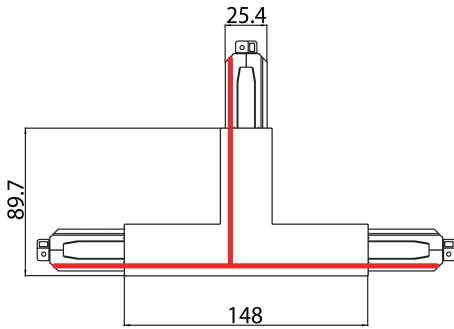
- OneTrack accessory, T-feed connector out-left, polarity ridge is in the outer side. Polycarbonate body, copper alloy contacts. Cover for recessed version supplied separately. Black. Please check the polarity diagram on selling sheet. Please check the safety sheet to supply the track with this accessory and follow the instructions correctly.

### Product Overview

<b>Product name</b>	ONETRACK T-FEED CONNECTOR OUT-LEFT BLACK 9013/B
<b>Technology</b>	Accessory
<b>Mount</b>	Track mounting
<b>General application</b>	Museums & Galleries, Office
<b>ETIM Class</b>	EC002556
<b>Housing colour</b>	Black
<b>Product EAN number</b>	4012289007324
<b>Warranty</b>	5 years

## ONETRACK T-FEED CONNECTOR OUT-LEFT BLACK 9013/B 9200732

### Technical drawings



### Data table

#### GENERAL DATA

<b>Product name</b>	ONETRACK T-FEED CONNECTOR OUT-LEFT BLACK 9013/B
<b>Technology</b>	Accessory
<b>Accessory type</b>	Electrical
<b>Type of accessory</b>	Coupler/connector T-shape
<b>Mount</b>	Track mounting
<b>General application</b>	Museums & Galleries, Office
<b>ETIM Class</b>	EC002556
<b>Warranty</b>	5 years

## ONETRACK T-FEED CONNECTOR OUT-LEFT BLACK 9013/B 9200732

### ELECTRICAL DATA

Primary Supply/Product voltage - min (V)	220
Primary Supply/Product voltage - max (V)	240
Control gear required	No
Connectable conductor cross section - Max (mm <sup>2</sup> )	2.5

### PHYSICAL DATA

Housing colour	Black
Nominal Product Length (mm)	148
Nominal Product Width (mm)	25.4
Nominal Product Height (mm)	89.7
Weight (kg)	0.29

### PACKAGING

Product EAN number	4012289007324
Packaging single length / height (cm)	30.0
Packaging single width (cm)	16.7
Packaging single depth (cm)	0.32
Units per outer package	1
Packaging outer length / height (cm)	30.0
Packaging outer width (cm)	16.7
Packaging outer depth (cm)	0.32

### SAFETY DATA

Special purpose lamp	No
Dry applications use only	No
Suitable for household illumination	No