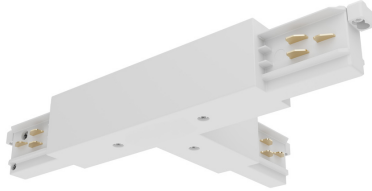


ONETRACK T-FEED CONNECTOR IN-LEFT WHITE 9015/W 9200735



Features

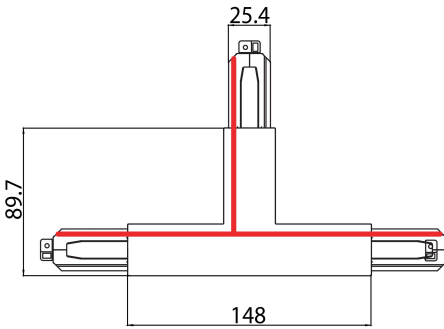
- OneTrack accessory, T-feed connector in-left, polarity ridge is in the inner side, white. Polycarbonate body, copper alloy contacts. Cover for recessed version supplied separately. White. Please check the polarity diagram on selling sheet. Please check the safety sheet to supply the track with this accessory and follow the instructions correctly. Please check the safety sheet to supply the track with this accessory and follow the instructions correctly.

Product Overview

Product name	ONETRACK T-FEED CONNECTOR IN-LEFT WHITE 9015/W
Technology	Accessory
Mount	Track mounting
General application	Museums & Galleries, Office
ETIM Class	EC002556
Housing colour	White
Product EAN number	4012289007355
Warranty	5 years

ONETRACK T-FEED CONNECTOR IN-LEFT WHITE 9015/W 9200735

Technical drawings



Data table

GENERAL DATA

Product name	ONETRACK T-FEED CONNECTOR IN-LEFT WHITE 9015/W
Technology	Accessory
Accessory type	Electrical
Type of accessory	Coupler/connector T-shape
Mount	Track mounting
General application	Museums & Galleries, Office
ETIM Class	EC002556
Warranty	5 years

ONETRACK T-FEED CONNECTOR IN-LEFT WHITE 9015/W 9200735

ELECTRICAL DATA

Primary Supply/Product voltage - min (V)	220
Primary Supply/Product voltage - max (V)	240
Control gear required	No
Connectable conductor cross section - Max (mm ²)	2.5

PHYSICAL DATA

Housing colour	White
Nominal Product Length (mm)	148
Nominal Product Width (mm)	25.4
Nominal Product Height (mm)	89.7
Weight (kg)	0.29

PACKAGING

Product EAN number	4012289007355
Packaging single length / height (cm)	30.0
Packaging single width (cm)	16.7
Packaging single depth (cm)	0.32
Units per outer package	1
Packaging outer length / height (cm)	30.0
Packaging outer width (cm)	16.7
Packaging outer depth (cm)	0.32

SAFETY DATA

Special purpose lamp	No
Dry applications use only	No
Suitable for household illumination	No