

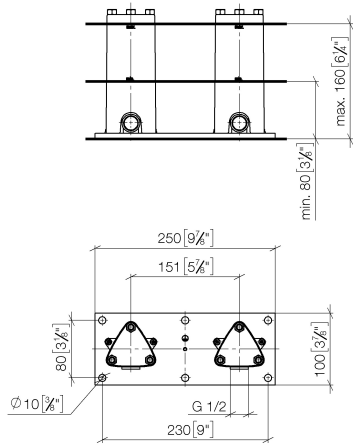
35 944 970 90



- stainless steel
- 2x 1/2" connection angle
- gauge 150 mm
- 2x anti-water packing
- 2x dust cover
- soundproofing
- WRAS

35 944 970 90

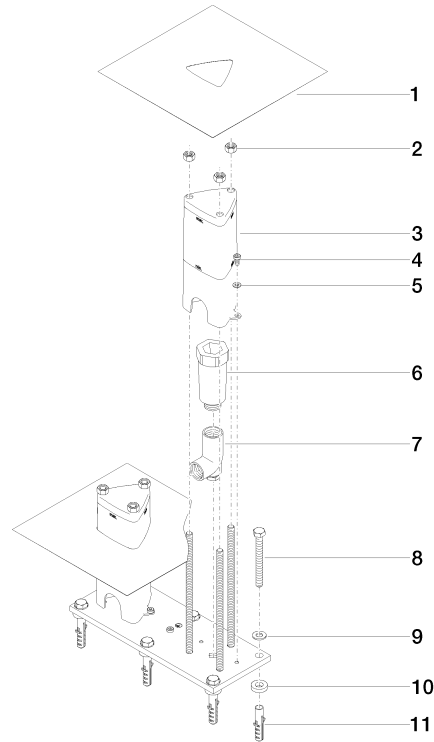
mm [inches]



Certificates and sustainability

EPD-DOR-20230287
-IBA1-EN
Environmental.prod
uct-declarat

35 944 970 90



Spare parts list

No.	Item Number	Name	Quantity used	Delivery time
	5 09 30 11 048 90	Washer Ø 5,3 -	5.00	14
	4 09 30 30 085 90	screw	5.00	82
	3 09 21 02 127 90	Cap -	2.00	-
Spare part can no longer be ordered, please order the replacement item				
	7 09 24 02 090 90	Connection -	2.00	14
	1 09 14 03 110 90	Waterproofing -	2.00	14
	8 09 30 31 012 90	Mounting 8 x 80 mm -	6.00	14
	11 09 30 35 003 90	Mounting Dowel 10 mm -	6.00	14
	2 09 23 10 023 90	Mounting Nut M8 -	3.00	14
	10 09 14 05 052 90	Washer EPDM 80 20 x 10 x 5 mm -	6.00	-
Spare part can no longer be ordered, please order the replacement item				
	9 09 30 11 045 90	Washer Ø 8,4 -	6.00	14
	6 09 31 20 011 90	Connection -	2.00	14