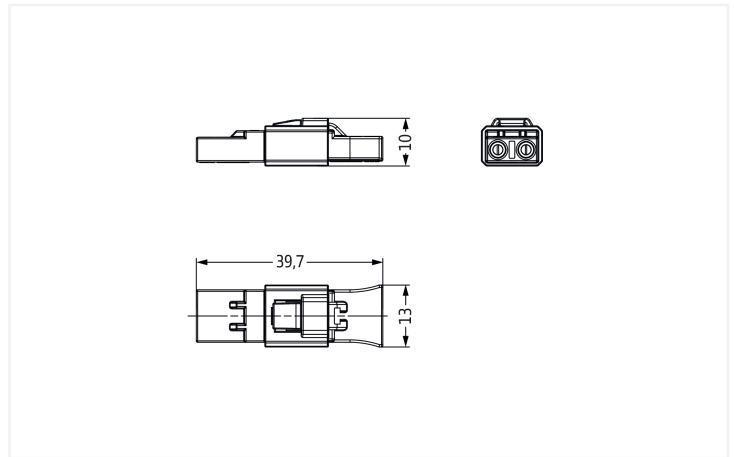
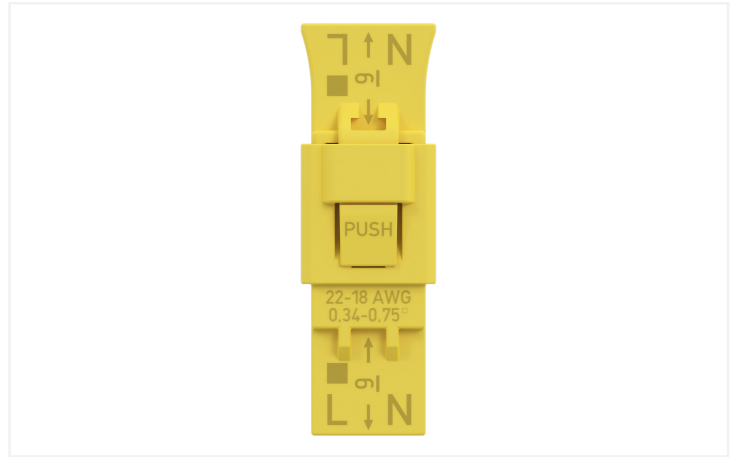




Color: ■ yellow



Notes

Note	<p>Touch-proof connectors are required for the ballast supply cables in fluorescent lighting fixtures in the USA and Canada. When replacing the ballast:</p> <ol style="list-style-type: none"> 1. The touch-proof connector is disconnected 2. The ballast is replaced 3. The connection to the power supply is restored by reconnecting the connector. <p>Reconnection streamlines ballast replacement while enhancing safety by safeguarding the installer from electric shock. The 873 Series Luminaire Disconnect Connectors are approved according to UL 2459 and CSA 22.2 for this type of application.</p>
------	---

Electrical data

Ratings per IEC/EN

Ratings per	IEC/EN 61984
Nominal voltage (II/2)	400 V
Rated impulse withstand voltage (II/2)	4 kV
Rated current	3 A

Ratings per UL

Approvals per	UL 2459
Rated voltage (UL)	600 V
Rated current UL	3 A

Ratings per CSA

Approvals per	CSA 22.2 No 2459
Rated current CSA	3 A
Rated voltage CSA	600 V

Connection Data

Clamping units	4
Total number of potentials	2
Number of levels	1

Connection 1

Connection technology	PUSH WIRE®
Actuation type	Push-in
Connectable conductor materials	Copper
Nominal cross-section	0.75 mm ² / 18 AWG
Solid conductor	0.34 ... 0.75 mm ² / 22 ... 18 AWG
Stranded conductor	22 ... 18 AWG
Strip length	9 ... 10 mm / 0.35 ... 0.39 inches
Pole number	2

Physical data

Width	13 mm / 0.512 inches
Height	10 mm / 0.394 inches
Depth	39.7 mm / 1.56 inches

Mechanical data

Marking	LN
---------	----

Material data

Color	yellow
Weight	3.6 g

Commercial data

PU (SPU)	1000 pcs
Packaging type	Bag
Country of origin	CN
GTIN	4066966861914
Customs tariff number	85366990990

Product Classification

ETIM 10.0	EC002560
ECCN	NO US CLASSIFICATION

Environmental Product Compliance


RoHS Compliance Status	Compliant, No Exemption
------------------------	-------------------------

Approvals / Certificates

UL-Approvals

Approval	Standard	Certificate Name
UL Underwriters Laboratories Inc.	UL 2459	UL-US-2586040-0

General approvals



Approval	Standard	Certificate Name
CCA DEKRA Certification B.V.	EN 61984	NTR NL-8086
DEKRA DEKRA Certification B.V.	EN 61984	71-172448 REV.1

Downloads

Environmental Product Compliance

Compliance Search

Environmental Product Compliance 873-332/000-200	↓
--	---