

33 805 875 Product version up to 5/15/2020



- 166mm projection
- gauge mm
- pivotable spout 360°
- laminar flow
- height of mixer 303 mm
- height up to laminar flow regulator 186 mm
- hole diameter 35 mm
- max. flow 8 l/min at 3 bar flow pressure
- lead-free
- This product can help a building meet the requirements of Green Building Rating Systems, e.g. LEED®, BREEAM®, DGNB

	Brushed Durabronze (23kt Gold)	33 805 875-28
	Chrome	33 805 875-00
	Brushed Platinum	33 805 875-06
	Platinum	33 805 875-08
	Dark Chrome	33 805 875-19
	Matte Black	33 805 875-33
	Brushed Dark Brass (PVD)	33 805 875-39
	Brushed Bronze (PVD)	33 805 875-42
	Brushed Dark Bronze (PVD)	33 805 875-43
	Brushed Champagne (22kt Gold)	33 805 875-46
	Champagne (22kt Gold)	33 805 875-47
	Brushed Chrome	33 805 875-93
	Brushed Dark Platinum	33 805 875-99

**Recommended miscellaneous**

**Dispenser without rosette - Brushed Durabronze (23kt Gold)** 82 424 970-28

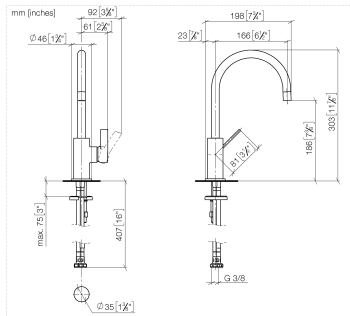


**Recommended miscellaneous**

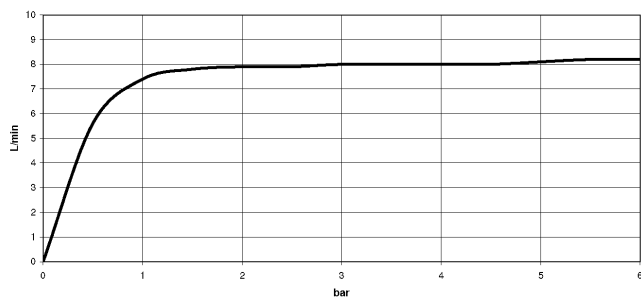
**Strainer waste with control handle - Brushed Durabronze (23kt Gold)** 10 712 970-28



33 805 875 Product version up to 5/15/2020



**Flow rate chart**



**Codes & Standards**

DIN 4109

ISO 3822

Ü-Zeichen



## TARA ULTRA BAR TAP Single-lever mixer - Brushed Durabronz (23kt Gold)

TARA ULTRA

33 805 875 Product version up to 5/15/2020

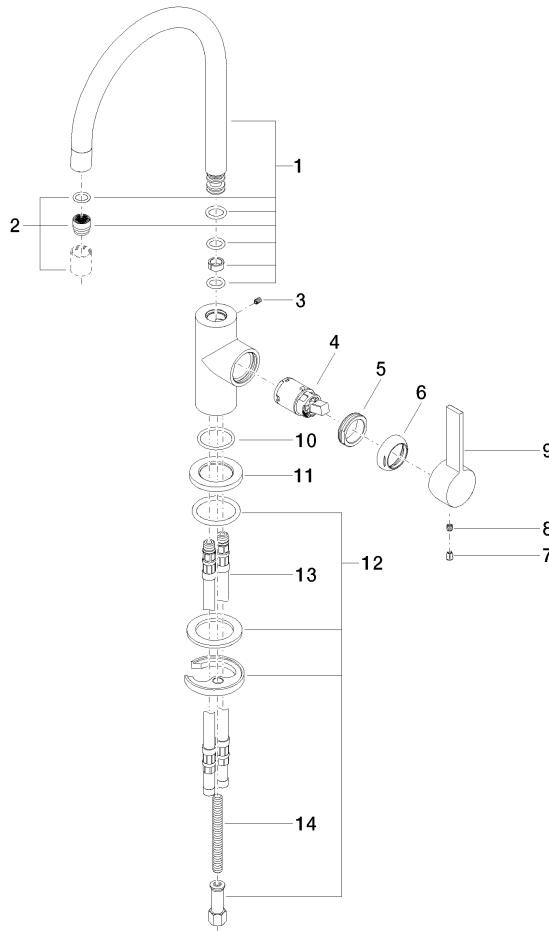
### Certificates and sustainability

---

LGA_18	EPD-DOR-20230287 -IBA1-EN Environmental.prod uct-declarat
--------	--

33 805 875 Product version up to 5/15/2020

Parts for other finishes can be found here: [Chrome](#)



### Spare parts list

No.	Item Number	Name	Quantity used	Delivery time
9	09 20 88 051-28	Handle Ø 36 x 22 mm - Brushed Durabron (23kt Gold)	1.00	40
3	09 31 11 008 90	Mounting Threaded pin with hexagon socket M4 x 6 mm	1.00	14
7	09 31 20 017 90	Plug Masking plug -	1.00	-
Spare part can no longer be ordered, please order the replacement item				
	09312010990	Plug -		
5	09 24 04 130-07	Mounting Ø 30 x 9 mm - untreated nickel-plated	1.00	40
2	90 23 01 067 00-28	Aerator laminar M16x1 - Brushed Durabron (23kt Gold)	1.00	40
12	04 30 11 038 64 90	Mounting with O-ring Ø34 x 4mm Ø 52 x 1,5 mm -	1.00	14
8	90 31 11 030 00 90	Mounting Threaded pin with hexagon socket with cup point M5 x 5 mm -	1.00	14
1	90 28 22 206 00-28	Spout 165 mm, 8,33 l/min. - Brushed Durabron (23kt Gold)	1.00	40
6	09 24 04 204-28	Cover Ø 32,5 x 9 mm - Brushed Durabron (23kt Gold)	1.00	40
4	90 15 05 041 00 90	Cartridge Ø 25 x 50 mm -	1.00	14
11	09 27 85 001-28	Rosette Ø 46 x Ø 28,6 x 5 mm - Brushed Durabron (23kt Gold)	1.00	40
14	09 31 11 011 90	Mounting Threaded bolt M8 x 80 mm -	1.00	14
10	09 14 10 118 90	O-Ring EPDM 70 27,6 x 2,4 mm -	1.00	14
13	04 30 04 016 00 90	High pressure hose M10x1 x 420 mm -	2.00	-
Spare part can no longer be ordered, please order the replacement item				
	0430041040090	High pressure hose M10x1 x 3/8" x 420 mm -		