

Data Sheet | Item Number: 713-1405/117-000/997-406

THR male header, 2-row; 0.8 x 0.8 mm solder pin; straight; 100% protected against mismatching; in tape-and-reel packaging; Pin spacing 3.5 mm; 10-pole; black

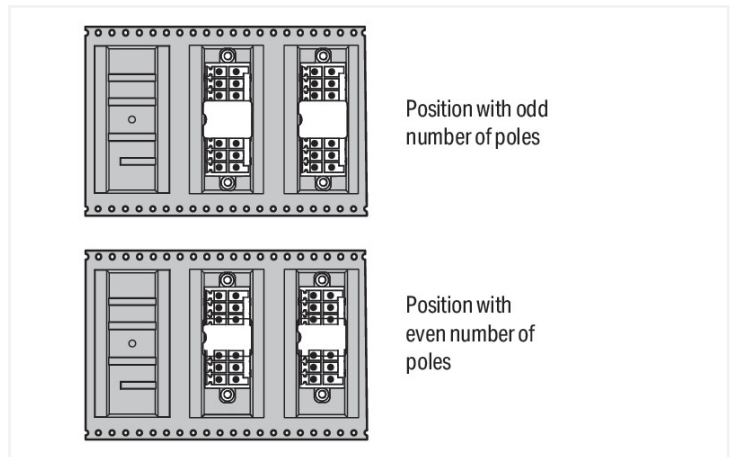
<https://www.wago.com/713-1405/117-000/997-406>



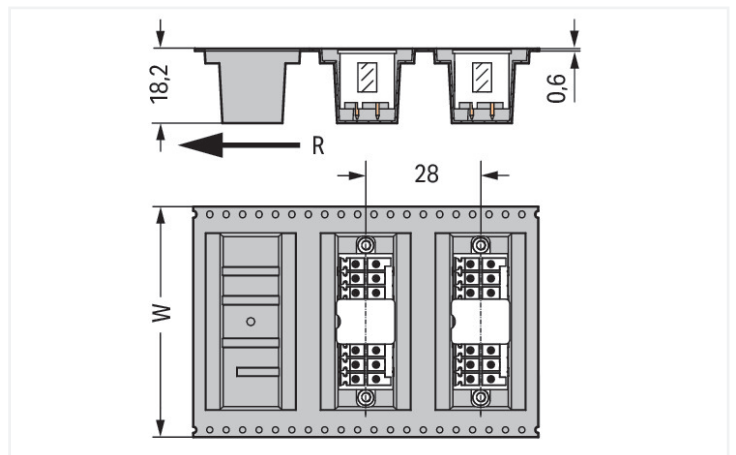
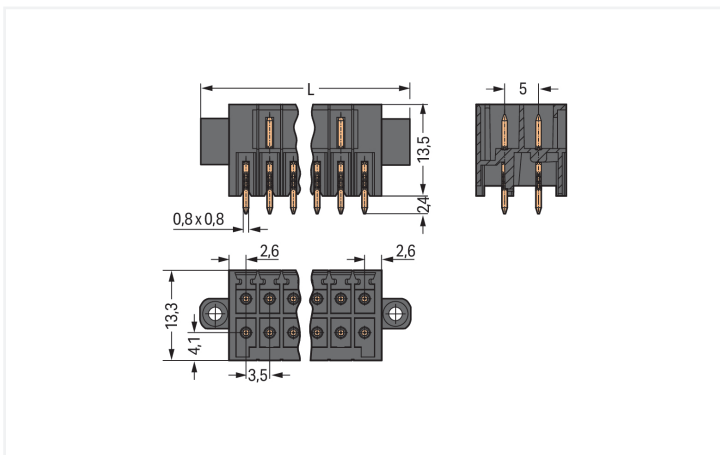
Color: ■ black

Similar to illustration

Similar to illustration



Dimensions in mm
 Pin position in tape-and-reel packaging





Male connector, 713 Series, black

This male connector (item number 713-1405/117-000/997-406) provides hassle-free electrical installations. The item's dimensions are (27.6 x 15.9 x 13.3) mm (width x height x depth).

The contact surface is coated with tin. THR is used to solder the pcb connector.

Notes

<p>Safety Information</p> <p>Variants:</p>	<p>The MCS – MULTI CONNECTION SYSTEM includes connectors without breaking capacity in accordance with DIN EN 61984. When used as intended, these connectors must not be connected/disconnected when live or under load. When used as intended, these connectors must not be connected/disconnected when live or under load. The circuit design should ensure header pins, which can be touched, are not live when unmated.</p> <p>Other pole numbers Other solder pin lengths Gold-plated or partially gold-plated contact surfaces Other versions (or variants) can be requested from WAGO Sales or configured at https://configurator.wago.com/.</p>
--	---

Electrical data

Ratings per	IEC/EN 60664-1			Approvals per	UL 1059		
Overvoltage category	III	III	II	Use group	B	C	D
Pollution degree	3	2	2	Rated voltage	150 V	50 V	-
Nominal voltage	80 V	160 V	250 V	Rated current	10 A	10 A	-
Rated impulse withstand voltage	2.5 kV	2.5 kV	2.5 kV				
Rated current	10 A	10 A	10 A				

Approvals per	CSA		
Use group	B	C	D
Rated voltage	150 V	-	-
Rated current	12 A	-	-

Connection Data

<p>Total number of potentials</p> <p>Number of connection types</p> <p>Number of levels</p>	<p>10</p> <p>1</p> <p>2</p>	<p>Connection 1</p> <p>Pole number</p>	<p>10</p>
---	-----------------------------	---	-----------

Physical data

Pin spacing	3.5 mm / 0.138 inches
Width	27.6 mm / 1.087 inches
Height	15.9 mm / 0.626 inches
Height from the surface	13.5 mm / 0.531 inches
Depth	13.3 mm / 0.524 inches
Solder pin length	2.4 mm
Solder pin dimensions	0.8 x 0.8 mm
Plated through-hole diameter (THR)	1.3 (+0.1) mm
Reel diameter of tape-and-reel packaging	330 mm
Tape width	44 mm

Mechanical data

Variable coding	Yes
Anti-rotation protection	Yes

Plug-in connection

Contact type (pluggable connector)	Male connector/plug
Connector (connection type)	for PCB
Mismating protection	Yes
Mating direction to the PCB	90 °
Locking of plug-in connection	Threaded flange

PCB contact

PCB contact	THR
Solder pin arrangement	over the entire male connector (in-line)
Number of solder pins per potential	1

Material data

Note (material data)	Information on material specifications can be found here
Color	black
Material group	I
Insulation material (main housing)	Polyphthalamide (PPA GF)
Flammability class per UL94	V0
Contact material	Electrolytic copper (E _{Cu})
Contact Plating	Tin
Fire load	0.072 MJ
Weight	3.3 g
MSL per J-STD 020D	1

Environmental requirements

Limit temperature range	-60 ... +100 °C
Processing temperature	-35 ... +60 °C

Commercial data

PU (SPU)	120 pcs
Packaging type	Bag
Country of origin	DE
GTIN	4050821308836
Customs tariff number	85366930000

Product Classification

UNSPSC	39121409
eCl@ss 10.0	27-44-04-02
eCl@ss 9.0	27-44-04-02
ETIM 9.0	EC002637
ETIM 10.0	EC002637
ECCN	NO US CLASSIFICATION

Environmental Product Compliance

RoHS Compliance Status	Compliant,With Exemption
RoHS Exemption	6(c)
SCIP notification number (Austria)	f15da948-08b1-491f-8f28-9b067bf355fa
SCIP notification number (Belgium)	dd8e1523-a917-4294-8f85-ae409ed2ccf3
SCIP notification number (Bulgaria)	865b10ef-fb8a-4757-be41-bf8644e83bcb
SCIP notification number (Czech Republic)	36ae63a0-cc05-4eba-a85f-969b34959483
SCIP notification number (Denmark)	72f1271a-9b1e-492e-9aa0-139ac130c624
SCIP notification number (Finland)	d0336bfe-1dc6-479d-a08b-dabe2edc7535
SCIP notification number (France)	e587d861-0e8f-4266-862d-6f4141d74d93
SCIP notification number (Germany)	533e806d-b71a-4803-b67c-7a4a3a3501b1
SCIP notification number (Hungary)	65aeeee2-ff25-4583-ad5a-10153643851e
SCIP notification number (Italy)	8fbaeeba-62aa-4d9c-8068-b953806340a2
SCIP notification number (Netherlands)	ed005d90-d14a-45d8-885d-d90e0e555ec4
SCIP notification number (Poland)	c38b89b9-b83d-4fc2-a798-ffd6bbf72c42
SCIP notification number (Romania)	92b88ab4-7487-40d1-92db-db1d9d8a05f3
SCIP notification number (Sweden)	3fbc2d13-8078-4b85-aca5-9381772bb9eb

Approvals / Certificates

General approvals



Approval	Standard	Certificate Name
CB DEKRA Certification B.V.	IEC 61984	NL-102427
CSA CSA Group	C22.2	2315087
KEMA/KEUR DEKRA Certification B.V.	EN 61984	71-133740

Declarations of conformity and manufacturer's declarations



Approval	Standard	Certificate Name
Railway WAGO GmbH & Co. KG	-	Z00004424.000

Downloads

Environmental Product Compliance

Compliance Search



Documentation

Additional Information

Technical Section	03.04.2019	pdf 2027.26 KB	
		pdf 535.32 KB	

CAD/CAE-Data

CAD data



PCB Design



1 Compatible Products

1.1 System counterpart

1.1.1 Female connector/socket

**Item No.: 713-1105/107-000**

1-conductor female connector, 2-row; CA-GE CLAMP®; 1.5 mm²; Pin spacing 3.5 mm; 10-pole; 100% protected against mismatching; Screw flange; black

1.2 Optional Accessories

1.2.1 Coding

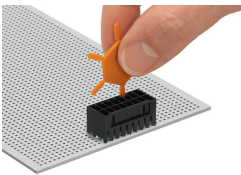
1.2.1.1 Coding

**Item No.: 714-101**

Coding key; orange

Installation Notes

Coding



Coding a male header by inserting a coding pin.