

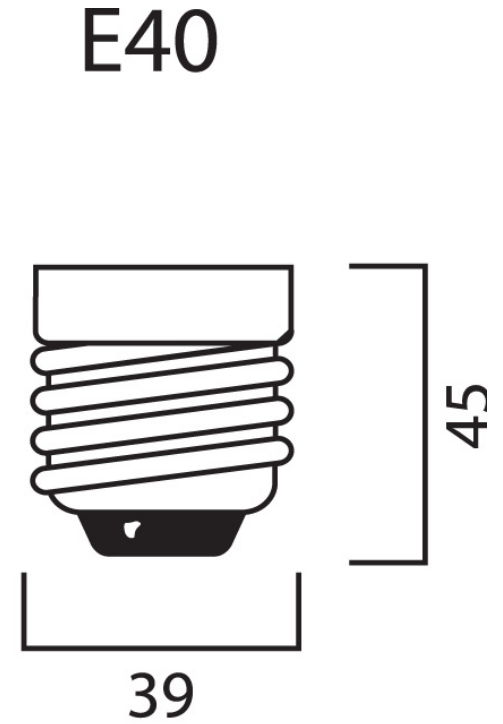
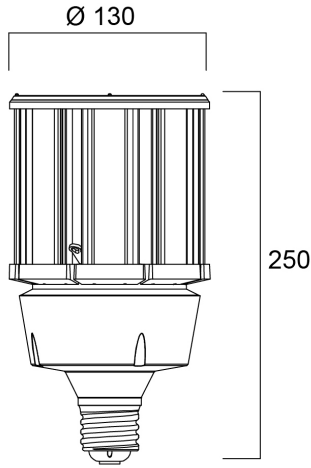
Features

- Direct retrofit replacement for high-pressure mercury vapor lamps (HPMV)50,000 hours average rated lifetimeUp to 78% energy saving compared to the standard high-pressure mercury vapor lampsMercury-free solutionLower maintenance costHigh lumen efficacyDual operating mode – compatible with HPMV magnetic ballast and also, suitable for AC direct mains 120-240V operationHigh surge voltage protection: 4kVSuitable for both open and enclosed luminairesWide light distributionHigh switching cycles – 200,000XHigh colour rendering – CRI80Minimum and maximum operating temperature: -30°C to 50°C

Product Overview

Product name	ToLEDo Performer T130 V2 10500LM 840 E40 SL
Technology	LED
Watt (Rated) (W)	80
Cap/Base	E40
Fixture rating	Open
E-number FI	4844490
Colour temperature (K)	4000
CRI (Ra)	80
Colour Variation Initial (SDCM)	6
Photobiological Risk Group	RG1
Wattage (W)	80
Product EAN number	5410288283791
Warranty	5 years

Technical drawings



Data table

GENERAL DATA

Product name	ToLEDo Performer T130 V2 10500LM 840 E40 SL
Technology	LED
Watt (Rated) (W)	80
Cap/Base	E40
Fixture rating	Open
Operating temperature range (°C)	-20°C...+50°C
Performance ambient temperature Tq (°C)	25
E-number FI	4844490
Warranty	5 years

OPTICAL DATA

Luminous flux (Rated) (lm)	10500
Colour temperature (K)	4000
CRI (Ra)	80
Colour Variation Initial (SDCM)	6
Photobiological Risk Group	RG1
Lumen maintenance at end of nominal life (%)	70

ELECTRICAL DATA

Wattage (W)	80
Starting time (max) (s)	0.5
Primary Supply/Product voltage - min (V)	220
Lamp power factor	0.95
Control gear required	No
Inrush Current (A)	79.2
Inrush Duration (μ s)	3
Lamp Energy Label (class)	E
Nominal Frequency (Hz)	50/60Hz
Max. products per 10A C Breaker	11

LIFETIME DATA

Lifespan L70 B50	50000
Average life (Rated) (h)	50000

PHYSICAL DATA

Nominal Product Length (mm)	250
Nominal Product Diameter (mm)	130
Weight (kg)	1.374

PACKAGING

Single packaging type	Carton
-----------------------	--------

ToLEDo Performer T130 V2 10500LM 840 E40 SL 0028379

Product EAN number	5410288283791
Packaging single width (cm)	14.0
Packaging single depth (cm)	29.0
DUN14 (outer)	15410288283798
Packaging outer length / height (cm)	30.0

SAFETY DATA

Optimal operating condition (°C)	-20-50
Breakage cleaning instructions	Not applicable
Special purpose lamp	No
Dry applications use only	No
Suitable for household illumination	No
Safety message	Not Suitable for totally enclosed fixtures

SYLVANIA

ToLEDo Performer T130 V2 10500LM 840 E40 SL
0028379

Energy label



0028379



80
kWh/1000h



2019/2015



0028379



80
kWh/1000h



2019/2015