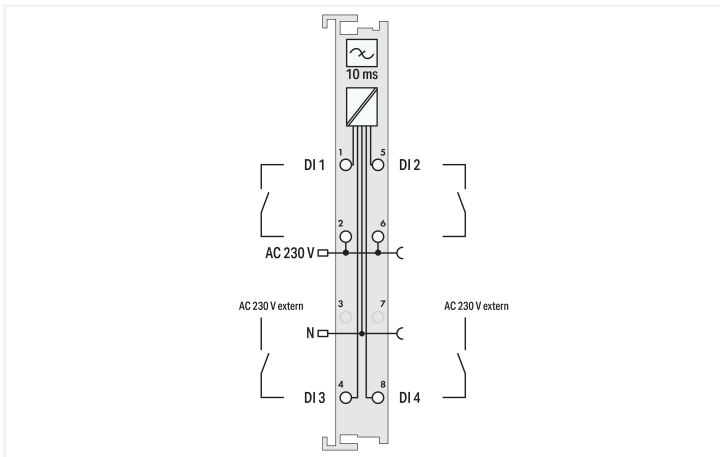
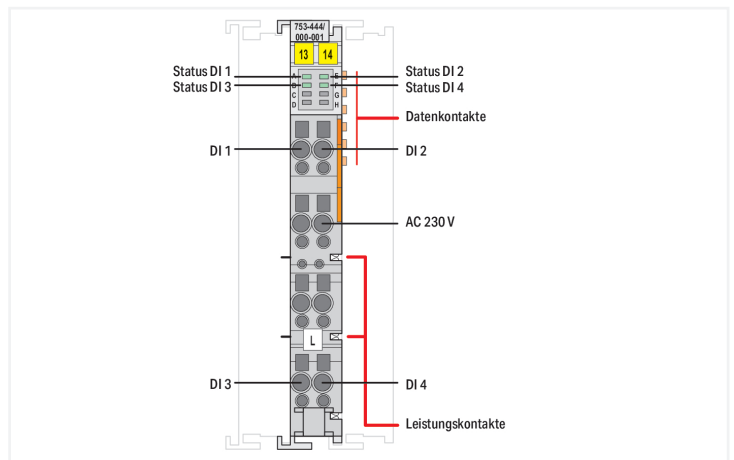
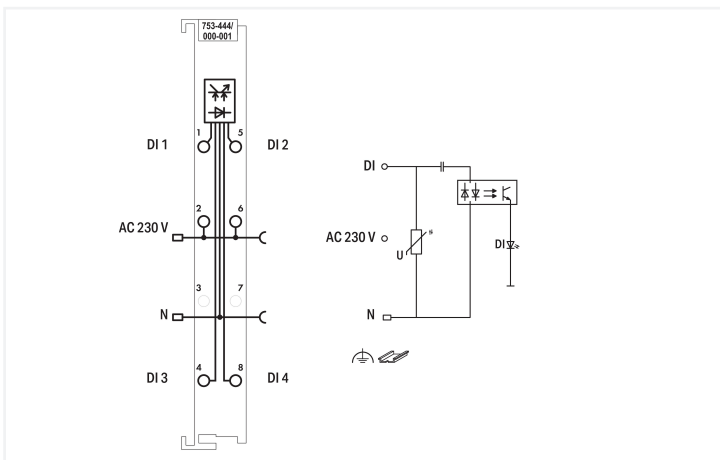
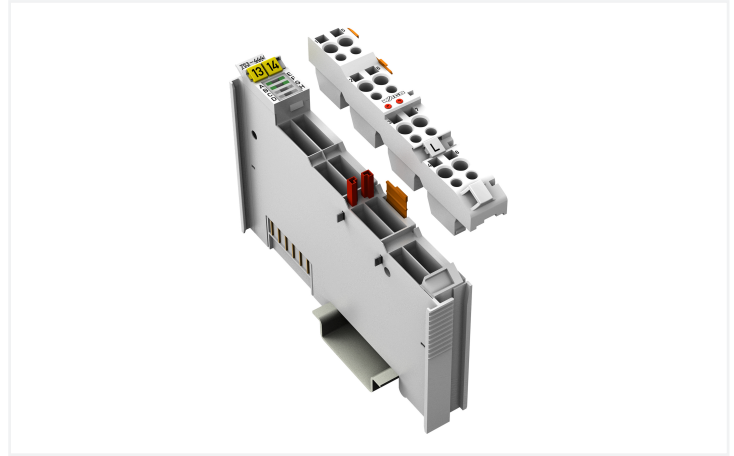
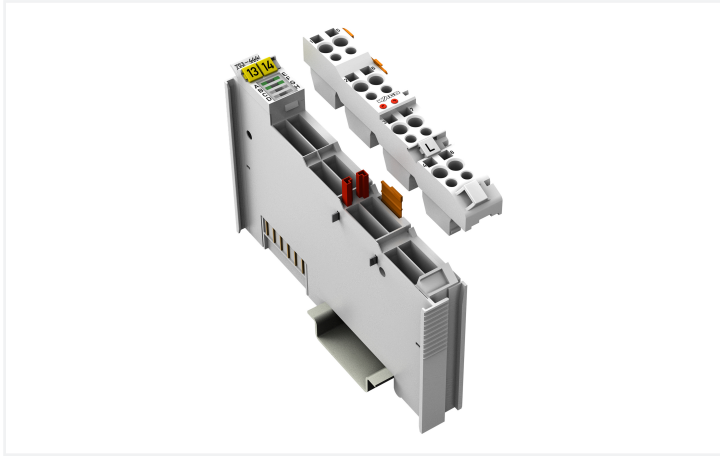


# Data Sheet | Item Number: 753-444/000-001

4-channel digital input; 230 VAC

<https://www.wago.com/753-444/000-001>



### Technical data

Number of digital inputs	4
Total number of channels (module)	4
Signal type	Digital 230 VAC
Input characteristic	high-side switching
Input filter	10 ms
Input voltage (note)	Higher spectral components in the input voltage may lead to increased input currents. However, they do not significantly impact the switching thresholds or the power loss of the input.
Signal frequency (min.)	45 Hz
Signal frequency (max.)	65 Hz
Input data width (internal) max.	4 bits
Supply voltage (system)	5 VDC; via data contacts
Current consumption (system supply)	15 mA
Supply voltage (field)	230 VAC; via power jumper contacts (supply via blade contact; distribution via spring contact)
Indicators	LEDs (A, B, E, F), green: Status DI 1 ... DI 4
Number of incoming power jumper contacts	2
Number of outgoing power jumper contacts	2

### Safety and protection

Protection type	IP20
Protection class	II
System voltage	≤ 300 V
Note on system voltage	The system voltage corresponds to the line-to-neutral voltage derived from conventional mains power supply systems.
Test voltage (field/system)	3.0 kVAC; 50 ... 60 Hz, 1 min
Test voltage (field/FE)	3.0 kVAC; 50 ... 60 Hz, 1 min
Test voltage (system/FE)	775 VDC; 1 min
Overvoltage category	II
Pollution degree	2
Insulation type	Reinforced insulation (safe isolation)

### Connection Data

Connection technology: I/O	8 x CAGE CLAMP®
Connection type	Inputs/outputs
Solid conductor	0.08 ... 2.5 mm <sup>2</sup> / 28 ... 14 AWG
Fine-stranded conductor	0.08 ... 2.5 mm <sup>2</sup> / 28 ... 14 AWG
Strip length	9 ... 10 mm / 0.35 ... 0.39 inches

### Physical data

Width	12 mm / 0.472 inches
Height	100 mm / 3.937 inches
Depth	69.8 mm / 2.748 inches
Depth from upper-edge of DIN-rail	62.6 mm / 2.465 inches

### Mechanical data

Mounting type	DIN-35 rail
Pluggable connector	pluggable

### Material data

Housing material	Polycarbonate; polyamide 6.6
Fire load	0.748 MJ
Weight	42.4 g
Conformity marking	CE

### Environmental requirements

Ambient temperature (operation)	0 ... +55 °C
Ambient temperature (storage)	-40 ... +85 °C
Operating altitude	0 ... 2000 m / 0 ... 6562 ft
Mounting position	Horizontal left, horizontal right, horizontal top, horizontal bottom, vertical top and vertical bottom
Relative humidity (without condensation)	95 %
Vibration resistance	4g per IEC 60068-2-6
Shock resistance	15g per IEC 60068-2-27
EMC immunity to interference	per EN 61000-6-2, marine applications
EMC emission of interference	per EN 61000-6-3, marine applications
Exposure to pollutants	per IEC 60068-2-42 and IEC 60068-2-43
Permissible H <sub>2</sub> S contaminant concentration at a relative humidity 75 %	10 ppm
Permissible SO <sub>2</sub> contaminant concentration at a relative humidity 75 %	25 ppm

### Commercial data

PU (SPU)	1 pcs
Packaging type	Box
Country of origin	DE
GTIN	4066966895803
Customs tariff number	85176200000

### Product Classification

UNSPSC	32151705
ETIM 9.0	EC001599
ETIM 10.0	EC001599
ECCN	NO US CLASSIFICATION

### Environmental Product Compliance

RoHS Compliance Status	Compliant, No Exemption
------------------------	-------------------------

**Approvals / Certificates**

**General approvals**



Approval	Standard	Certificate Name
UL Underwriters Laboratories Inc. (ORDINARY LOCATIONS)	-	E175199

**Declarations of conformity and manufacturer's declarations**

Approval	Standard	Certificate Name
EU-Declaration of Conformity WAGO GmbH & Co. KG	-	-

**Approvals for hazardous areas**



Approval	Standard	Certificate Name
UL Underwriters Laboratories Inc. (HAZARDOUS LOCATIONS)	UL 121201	E198726