



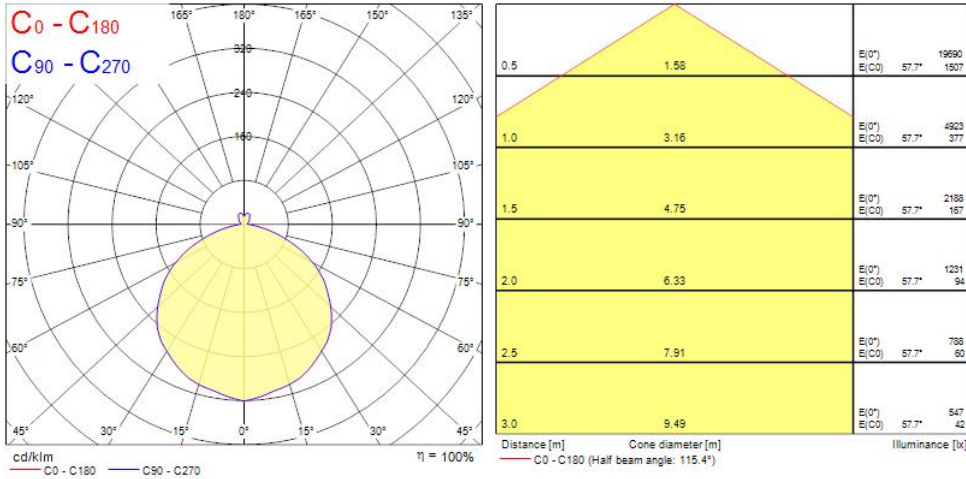
### Features

- Direct retrofit replacement for high-pressure mercury vapor lamps (HPMV)50,000 hours average rated lifetimeUp to 71% energy saving compared to the standard high-pressure mercury vapor lampsDetachable 3.5mm jack plug microwave sensor allow to adjust hold-time and standby brightness levelMercury-free solutionLower maintenance costHigh lumen efficacyDual operating mode – compatible with HPMV magnetic ballast and also, suitable for AC direct mains 220-240V operationUp and down light distributionHigh surge voltage protection: 4kVSuitable for both open and enclosed luminairesWide light distributionHigh switching cycles – 200,000XHigh colour rendering – CRI80Minimum and maximum operating temperature: -30°C to 50°C

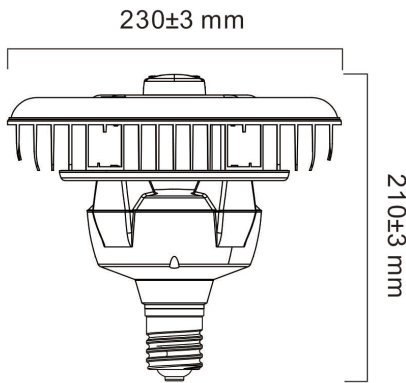
### Product Overview

Product name	ToLEDo Performer H230 15500LM 840 E40 SL
Technology	LED
Watt (Rated) (W)	115
Cap/Base	E40
Fixture rating	Open
E-number FI	4740745
Colour temperature (K)	4000
CRI (Ra)	80
Colour Variation Initial (SDCM)	6
Photobiological Risk Group	RG1
Wattage (W)	115
Product EAN number	5410288283784
Warranty	5 years

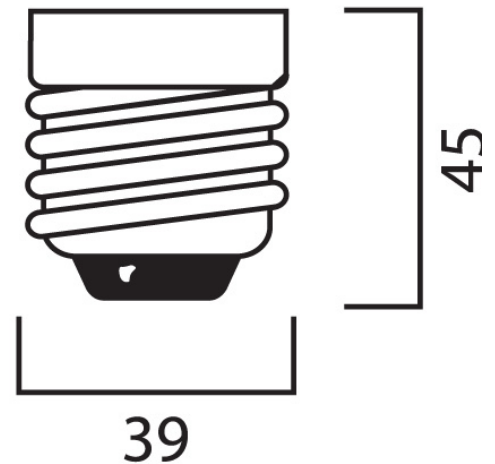
## Photometry



## Technical drawings



E40



### Data table

#### GENERAL DATA

Product name	ToLEDo Performer H230 15500LM 840 E40 SL
Technology	LED
Watt (Rated) (W)	115
Cap/Base	E40
Fixture rating	Open
Operating temperature range (°C)	-20°C...+50°C
Performance ambient temperature Tq (°C)	25
E-number FI	4740745
Warranty	5 years

#### OPTICAL DATA

Luminous flux (Rated) (lm)	15500
Colour temperature (K)	4000
CRI (Ra)	80
Colour Variation Initial (SDCM)	6
Photobiological Risk Group	RG1
Lumen maintenance at end of nominal life (%)	70

#### ELECTRICAL DATA

Wattage (W)	115
Starting time (max) (s)	0.5
Primary Supply/Product voltage - min (V)	220
Lamp power factor	1
Control gear required	No
Inrush Current (A)	71.2
Inrush Duration (µs)	2

## ToLEDo Performer H230 15500LM 840 E40 SL 0028378

Lamp Energy Label (class)	E
Nominal Frequency (Hz)	50/60Hz

### LIFETIME DATA

Lifespan L70 B50	50000
Average life (Rated) (h)	50000

### PHYSICAL DATA

Nominal Product Length (mm)	210
Nominal Product Diameter (mm)	230
Weight (kg)	1.766

### PACKAGING

Single packaging type	Carton
Product EAN number	5410288283784
Packaging single width (cm)	25.0
Packaging single depth (cm)	23.5
DUN14 (outer)	15410288283781
Packaging outer length / height (cm)	53.6

### SAFETY DATA

Optimal operating condition (°C)	-20-50
Breakage cleaning instructions	Not applicable
Special purpose lamp	No
Dry applications use only	No
Suitable for household illumination	No
Safety message	Not Suitable for totally enclosed fixtures

# SYLVANIA

ToLEDo Performer H230 15500LM 840 E40 SL  
0028378

## Energy label



0028378



**115**  
kWh/1000h



2019/2015



0028378



**115**  
kWh/1000h



2019/2015