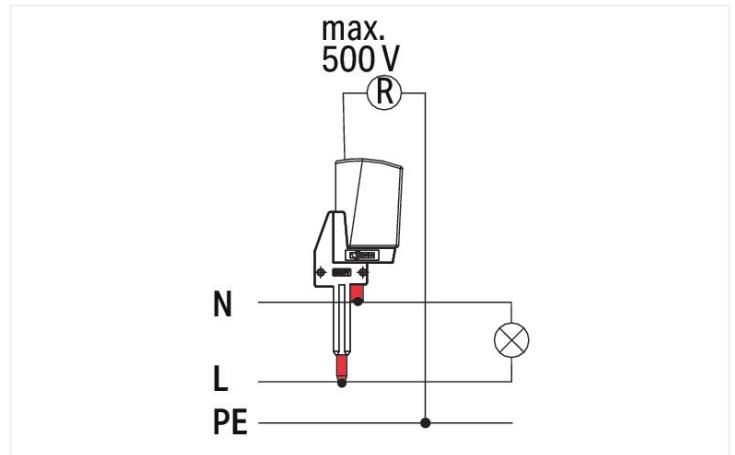


Data Sheet | Item Number: 2003-499

Test plug adapter N/L; for 2003-6641 and 2003-6640 Multilevel Installation Terminal Blocks; for vertical test slot; 2-pole; gray

<https://www.wago.com/2003-499>



Color: ■ gray

Electrical data

Ratings per IEC/EN

| | |
|---|-------|
| Nominal voltage (III/3) | 500 V |
| Rated impulse withstand voltage (III / 3) | 6 kV |
| Rated current | 16 A |

General information

| | |
|------------------|-------------------|
| Wiring direction | Side-entry wiring |
|------------------|-------------------|

Connection Data

| | |
|----------------------------|---|
| Clamping units | 1 |
| Total number of potentials | 1 |

Connection 1

| | |
|-------------------------|---|
| Connection technology | CAGE CLAMP® |
| Solid conductor | 0.5 ... 2.5 mm ² / 20 ... 16 AWG |
| Stranded conductor | 0.5 ... 1.5 mm ² / 20 ... 16 AWG |
| Fine-stranded conductor | 0.5 ... 2.5 mm ² / 20 ... 16 AWG |
| Strip length | 9 ... 11 mm / 0.35 ... 0.43 inches |
| Wiring direction | Side-entry wiring |

Material data

| | |
|------------------------------------|--|
| Note (material data) | Information on material specifications can be found here |
| Color | gray |
| Material group | I |
| Insulation material (main housing) | Polyamide (PA66) |
| Flammability class per UL94 | V0 |
| Fire load | 0.065 MJ |
| Weight | 3.3 g |

Environmental requirements

| | |
|----------------------------------|-----------------|
| Processing temperature | -35 ... +85 °C |
| Continuous operating temperature | -60 ... +105 °C |

Commercial data

| | |
|-----------------------|---------------|
| Product Group | 22 (TOPJOB S) |
| PU (SPU) | 100 (25) pcs |
| Packaging type | Box |
| Country of origin | DE |
| GTIN | 4050821322115 |
| Customs tariff number | 85366990990 |

Product Classification

| | |
|-------------|----------------------|
| UNSPSC | 39121410 |
| eCl@ss 10.0 | 27-14-11-48 |
| eCl@ss 9.0 | 27-14-11-48 |
| ETIM 9.0 | EC002555 |
| ETIM 10.0 | EC002555 |
| ECCN | NO US CLASSIFICATION |

Environmental Product Compliance



| | |
|------------------------|-------------------------|
| RoHS Compliance Status | Compliant, No Exemption |
|------------------------|-------------------------|

Downloads

Environmental Product Compliance

| | | | |
|---|--|--|---|
| Compliance Search | | | |
| Environmental Product Compliance 2003-499 | | |  |

Documentation

| | | | |
|-----------------|------------|-----------------|---|
| Bid Text | | | |
| 2003-499 | 19.02.2019 | xml 2.59 KB |  |
| 2003-499 | 28.04.2017 | doc 23.50 KB |  |

CAD/CAE-Data

CAD data

2D/3D Models
2003-499



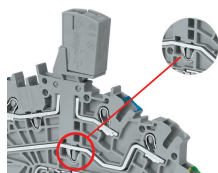
CAE data

WSCAD Universe
2003-499



Installation Notes

Testing



Multilevel installation terminal block fitted with an N/L-test plug adapter for quick and safe insulation resistance measurement of the connected N- and L-potentials