

28 765 980 Product version from 3/13/2017



- rain shower 300 x 240mm
- Rain shower material: metal
- PURE RAIN, max. flow rate 20 l/min (at 3 bar)
- Function from: 12 l/min
- quick clearing
- with anti-scale system

**Technical data:**

- 450mm projection
- rosette 60 x 60 mm
- 1/2" connection

**Notes:**

- This product can help a building meet the requirements of Green Building Rating Systems, e.g. LEED®, BREEAM®, DGNB

Please note that this item can only be booked until 31.12.2026

	Chrome	28 765 980-00
	Brushed Platinum	28 765 980-06
	Platinum	28 765 980-08
	Dark Chrome	28 765 980-19
	Brushed Light Gold (PVD)	28 765 980-27
	Brushed Durabronze (23kt Gold)	28 765 980-28
	Matte Black	28 765 980-33
	Brushed Gold (PVD)	28 765 980-37
	Brushed Dark Brass (PVD)	28 765 980-39
	Brushed Bronze (PVD)	28 765 980-42
	Brushed Champagne (22kt Gold)	28 765 980-46
	Champagne (22kt Gold)	28 765 980-47
	Brushed Chrome	28 765 980-93
	Brushed Dark Platinum	28 765 980-99

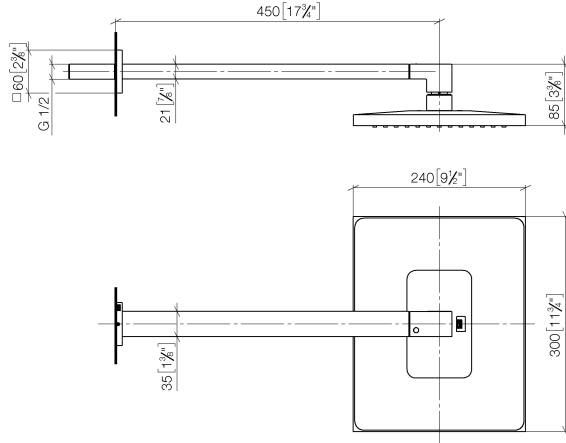
Recommended miscellaneous



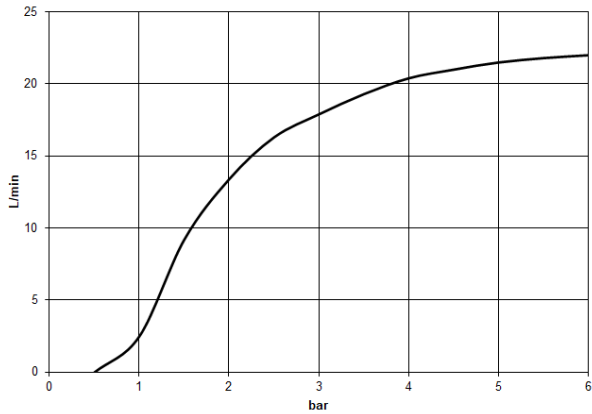
- Concealed wall elbow -** 35 085 970 90
- min. recess depth 90 mm
  - max. recess depth 163 mm

28 765 980 Product version from 3/13/2017

mm [inches]



**Flow rate chart**



**Codes & Standards**

DIN 4109

ISO 3822

Scottish Water  
Byelaws

UK Water Supply  
Regulations

**Ü-Zeichen**



## Rainshower with wall fixing 300 x 240 mm - Chrome

SERIES SPECIFIC

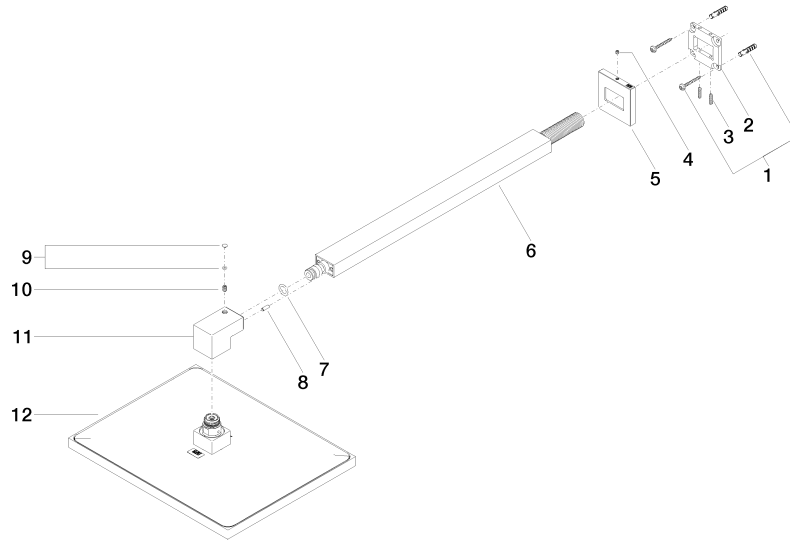
28 765 980 Product version from 3/13/2017

### Certificates and sustainability

LGA\_38

LGA\_29

WRAS\_2212



## Spare parts list

No.	Item Number	Name	Quantity used	Delivery time
3	09 31 11 084 90	Mounting Threaded pin with hexagon socket with cup point M4 x16 mm -	2.00	14
10	09 31 11 036 90	Mounting Threaded pin with hexagon socket with cup point M5 x 8 mm -	1.00	14
7	90 14 10 011 00 90	O-Ring EPDM 70 11,0 x 2,5 mm -	1.00	14
11	09 17 01 180-00	Connection 36 x 39 x 61 mm - Chrome	1.00	20
5	09 27 98 016-00	Rosette for rain shower Wall mounting 60 x 9 x 60 mm - Chrome	1.00	20
9	90 31 20 087 00-00	Plug with O-ring Ø 7 x 2,1 mm - Chrome	1.00	20
4	09 31 11 099 90	Mounting Threaded pin with hexagon socket with chamfered end M4 x 4 -	1.00	14
2	09 30 11 160 90	Connection 55 x 55 x 6,5 mm -	1.00	14
6	04 28 22 247 20-00	Connection 505 x 35 x 21 mm - Chrome	1.00	20
8	09 31 11 040 90	Straight pin Ø 6 x12 mm -	1.00	14
1	04 30 31 032 00 90	Attachment set Bolt 4 x 35 mm -	1.00	14
12	04 12 05 063 00-00	Rainshower angular 300 x 240 mm - Chrome	1.00	20