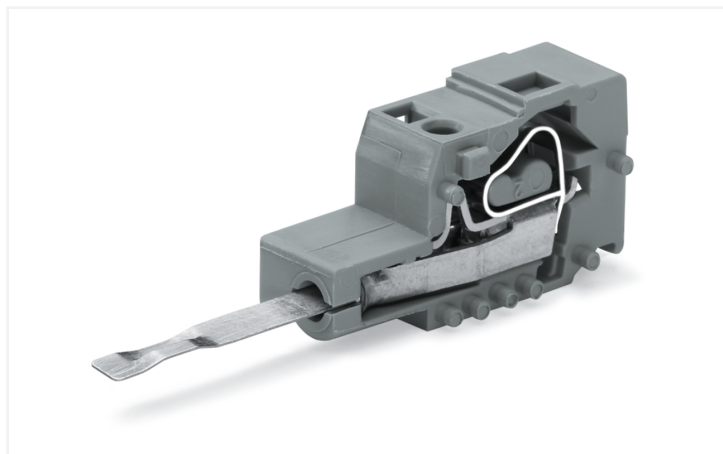


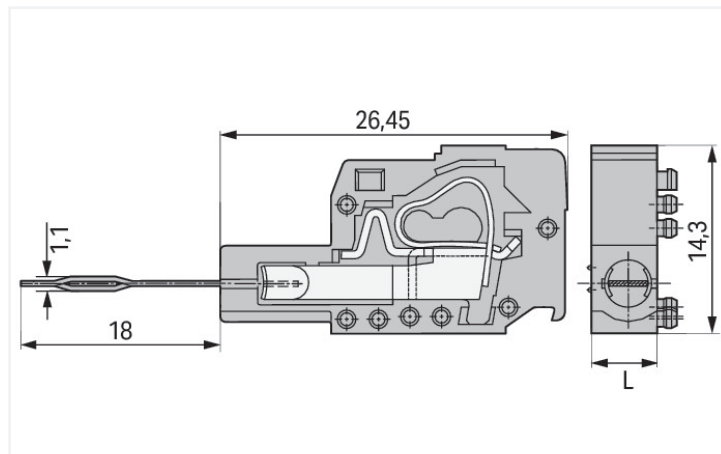
Data Sheet | Item Number: 231-456

Testing plug module with contact stud; for 736, 737 Series; Pin spacing 7.5 mm / 0.295 in; gray

<https://www.wago.com/231-456>



Color: ■ gray



Dimensions in mm
L = pin spacing

Electrical data

Ratings per	IEC/EN 60664-1		
Overvoltage category	III	III	II
Pollution degree	3	2	2
Nominal voltage	-	250 V	-
Rated impulse withstand voltage	-	2.5 kV	-
Rated current	-	0.5 A	-

Connection Data

Clamping units	1
Total number of potentials	1
Number of connection types	1

Connection 1

Connection technology	CAGE CLAMP®
Solid conductor	0.08 ... 2.5 mm ² / 28 ... 12 AWG
Fine-stranded conductor	0.08 ... 2.5 mm ² / 28 ... 12 AWG
Strip length	12 ... 13 mm / 0.47 ... 0.51 inches

Physical data

Pin spacing	7.5 mm / 0.295 inches
Width	7.5 mm / 0.295 inches
Height	14.3 mm / 0.563 inches
Depth	44.45 mm / 1.75 inches

Mechanical data

Use	Testing wired terminal blocks with 0.75 ... 1.5 mm ² "f-st" or 0.5 mm ² "sol." conductors
Test contact length	18 mm
Suitable	for 736, 737 Series

Material data

Note (material data)	Information on material specifications can be found here
Color	gray
Material group	I
Insulation material (main housing)	Polyamide (PA66)
Flammability class per UL94	V0
Clamping spring material	Chrome-nickel spring steel (CrNi)
Contact material	Electrolytic copper (E _{cu})
Contact Plating	Tin
Fire load	0.034 MJ
Weight	2.2 g

Environmental requirements

Limit temperature range	-60 ... +105 °C
Processing temperature	-35 ... +60 °C

Commercial data

Product Group	3 (Multi Conn. System)
PU (SPU)	100 pcs
Packaging type	Box
Country of origin	DE
GTIN	4055143797900
Customs tariff number	85366990990

Product Classification

UNSPSC	39121402
eCl@ss 10.0	27-14-11-48
eCl@ss 9.0	27-14-11-48
ETIM 9.0	EC002555
ETIM 10.0	EC002555
ECCN	NO US CLASSIFICATION

Environmental Product Compliance

RoHS Compliance Status	Compliant, No Exemption
------------------------	-------------------------

Approvals / Certificates

General approvals



Approval	Standard	Certificate Name
CSA DEKRA Certification B.V.	C22.2	1466354

Approvals for marine applications



Approval	Standard	Certificate Name
LR Lloyds Register	IEC 61984	96/20035 (E5)

Downloads

Environmental Product Compliance

Compliance Search
Environmental Product Compliance 231-456

Documentation

Additional Information			
Technical Section	03.04.2019	pdf 2027.26 KB	

1 Compatible Products

1.1 Required Accessories

1.1.1 End plate

1.1.1.1 End plate



[Item No.: 231-100](#)
End plate; 1.5 mm thick; gray

1.2 Optional Accessories

1.2.1 Tool

1.2.1.1 Operating tool



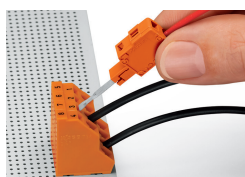
[Item No.: 210-720](#)
Operating tool; Blade: 3.5 x 0.5 mm; with a partially insulated shaft; multicoloured



[Item No.: 210-657](#)
Operating tool; Blade: 3.5 x 0.5 mm; with a partially insulated shaft; short; multicoloured

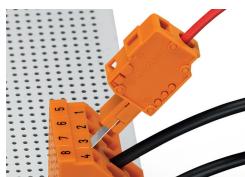
Installation Notes

Installation



Inserting a test plug module into the operating slot.

Testing



Wired terminal strip with inserted test plug module

Application



Contact type B:
Testing only when wired –
0.75 ... 1.5 mm² "f-st" or 0.5 mm² "sol."