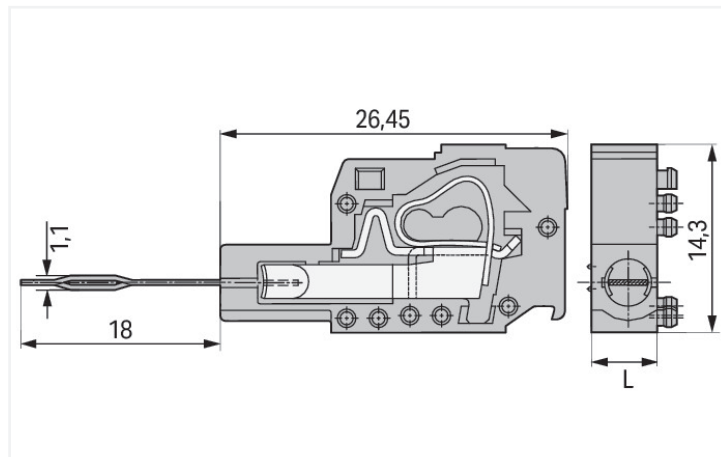


# Data Sheet | Item Number: 231-155

Testing plug module with contact stud; Pin spacing 5 mm / 0.197 in; 2,50 mm<sup>2</sup>; gray

<https://www.wago.com/231-155>



Color: ■ gray

Dimensions in mm  
L = pin spacing

## Electrical data

Rated per	IEC/EN 60664-1		
Overvoltage category	III	III	II
Pollution degree	3	2	2
Nominal voltage	-	250 V	-
Rated impulse withstand voltage	-	2.5 kV	-
Rated current	-	0.5 A	-

## Connection data

Clamping units	1
Total number of potentials	1
Number of connection types	1

### Connection 1

Connection technology	CAGE CLAMP®
Solid conductor	0.08 ... 2.5 mm <sup>2</sup> / 28 ... 12 AWG
Fine-stranded conductor	0.08 ... 2.5 mm <sup>2</sup> / 28 ... 12 AWG
Strip length	12 ... 13 mm / 0.47 ... 0.51 inches

## Physical data

Pin spacing	5 mm / 0.197 inches
Width	5 mm / 0.197 inches
Height	14.3 mm / 0.563 inches
Depth	44.45 mm / 1.75 inches

### Mechanical data

Use	Testing wired terminal blocks with 0.75 ...1.5 mm <sup>2</sup> "f-st" or 0.5 mm <sup>2</sup> "sol." conductors
Test contact length	18 mm
Suitable	for 280, 736, 737, 738, 780 Series

### Material data

Note (material data)	<a href="#">Information on material specifications can be found here</a>
Color	gray
Material group	I
Insulation material (main housing)	Polyamide (PA66)
Flammability class per UL94	V0
Clamping spring material	Chrome-nickel spring steel (CrNi)
Contact material	Electrolytic copper (E <sub>cu</sub> )
Contact Plating	Tin
Fire load	0.024 MJ
Weight	1.8 g

### Environmental requirements

Limit temperature range	-60 ... +105 °C
Processing temperature	-35 ... +60 °C

### Commercial data

Product Group	3 (Multi Conn. System)
PU (SPU)	100 pcs
Packaging type	Box
Country of origin	DE
GTIN	4017332315425
Customs tariff number	85366990990

### Product Classification

UNSPSC	39121409
eCl@ss 10.0	27-14-11-48
eCl@ss 9.0	27-14-11-48
ETIM 9.0	EC002555
ETIM 10.0	EC002555
ECCN	NO US CLASSIFICATION

### Environmental Product Compliance

RoHS Compliance Status	Compliant, No Exemption
------------------------	-------------------------

## Approvals / Certificates

### General approvals



Approval	Standard	Certificate Name
CSA DEKRA Certification B.V.	C22.2	1466354

### Approvals for marine applications



Approval	Standard	Certificate Name
LR Lloyds Register	IEC 61984	96/20035 (E5)

## Downloads

### Environmental Product Compliance

#### Compliance Search

Environmental Product  
Compliance 231-155



## Documentation

### Additional Information

Technical Section

03.04.2019

pdf  
2027.26 KB



## CAD/CAE-Data

### CAD data

2D/3D Models 231-155



### CAE data

ZUKEN Portal 231-155



## 1 Compatible Products

### 1.1 Required Accessories

#### 1.1.1 End plate

##### 1.1.1.1 End plate



Item No.: 231-100

End plate; 1.5 mm thick; gray

## 1.2 Optional Accessories

### 1.2.1 Tool

#### 1.2.1.1 Operating tool

**Item No.: 210-720**

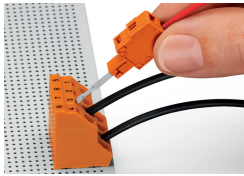
Operating tool; Blade: 3.5 x 0.5 mm; with a partially insulated shaft; multicoloured

**Item No.: 210-657**

Operating tool; Blade: 3.5 x 0.5 mm; with a partially insulated shaft; short; multicoloured

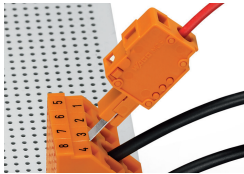
## Installation Notes

### Installation



Inserting a test plug module into the operating slot.

### Testing



Wired terminal strip with inserted test plug module

### Application



Contact type B:  
Testing only when wired –  
0.75 ... 1.5 mm<sup>2</sup> "f-st" or 0.5 mm<sup>2</sup> "sol."